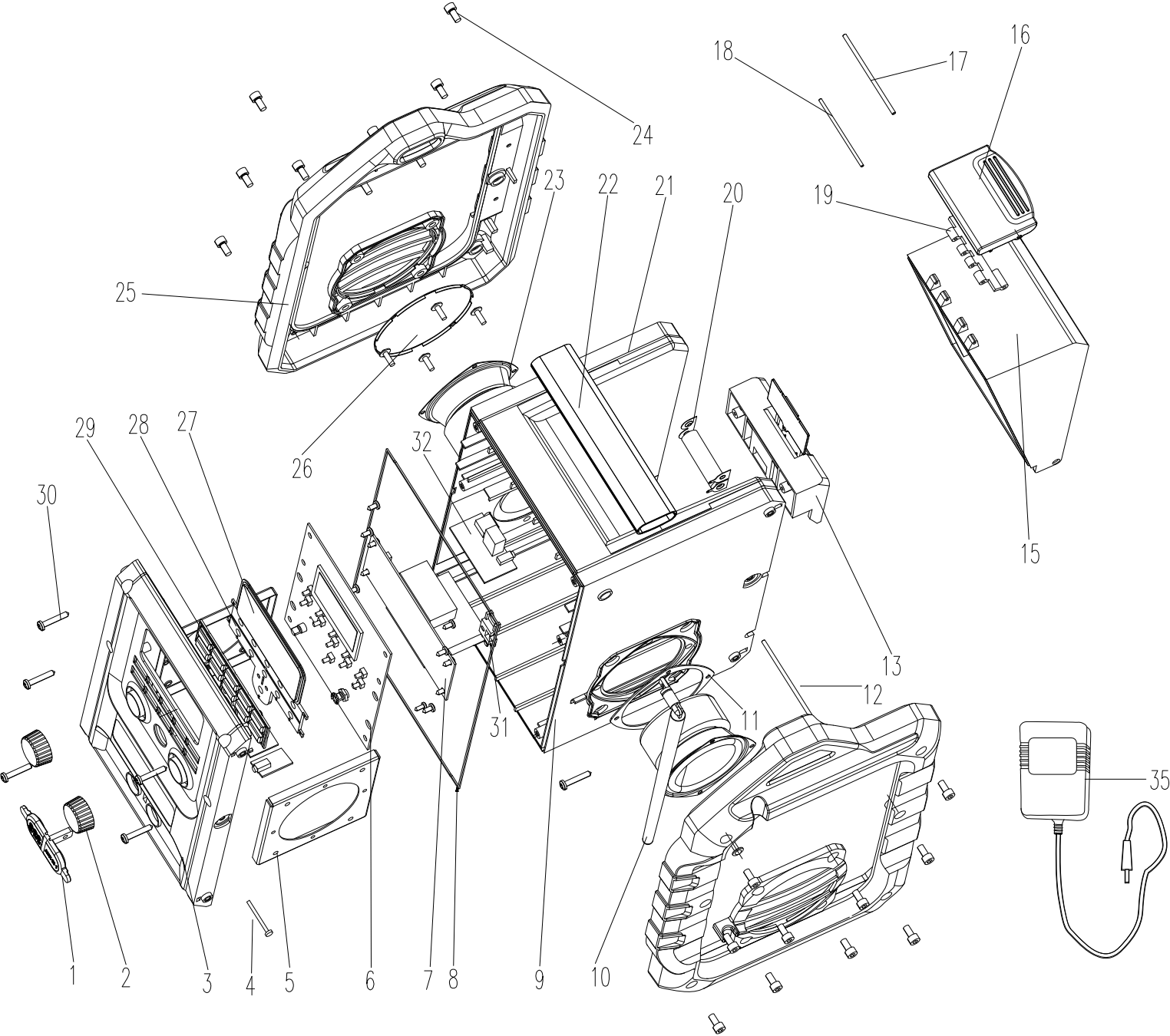


DX61B

Version:00
Date:200117



Model	Position No	Part Number	Description	Qty
DX61B	1	60058155	Front Cap	1
DX61B	2	60058156	Knob	2
DX61B	3	60058157	Front cover	1
DX61B	4	60058158	Pin	1
DX61B	5	60058159	Bracket	1
DX61B	6	60058160	PCB Board 1	1
DX61B	7	60058161	PCB Board 2	1
DX61B	8	60058162	Seal ring 1	1
DX61B	9	60058163	Cover Center	1
DX61B	10	60058164	Antenna	1
DX61B	11	60058165	Washer	1
DX61B	12	60058166	Spindle 4.5	1
DX61B	13	60058167	Faucet	1
DX61B	15	60058169	rear cover	1
DX61B	16	60058170	Fastener	1
DX61B	17	60058171	Spindle 2.9	1
DX61B	18	60058172	Spindle 2.5	1
DX61B	19	60058173	Connector	1
DX61B	20	60058174	Contact plate	1
DX61B	21	60058175	Seal ring 2	1
DX61B	22	60058176	Grip	1
DX61B	23	60058177	Loudhailer	1
DX61B	24	60058178	Screw	20
DX61B	25	60058179	Cover	1
DX61B	26	60058180	Net cover	1
DX61B	27	60058181	Screen	1
DX61B	28	60058182	Baffle plate	1
DX61B	29	60058183	Keyboard	1
DX61B	30	60058184	Screw	6
DX61B	31	60058185	Line Bracket	1
DX61B	32	60058186	PCB Board 3	1