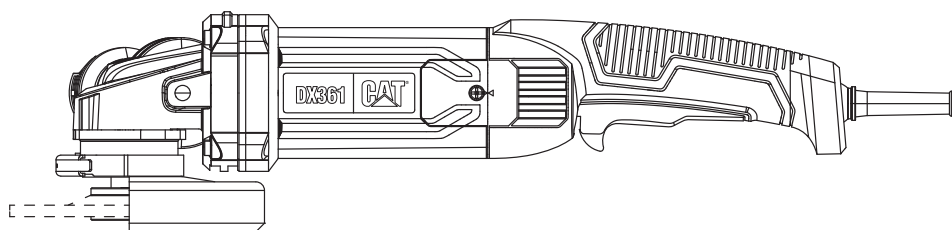


The CAT logo is displayed in white on a black square background. It features the letters "CAT" in a bold, sans-serif font, with a stylized mountain peak shape integrated into the letter "A". A registered trademark symbol (®) is located to the upper right of the "T".

13A

DX361U



5 IN. ANGLE GRINDER

EN

P05

5 IN. MEULEUSE D'ANGLE

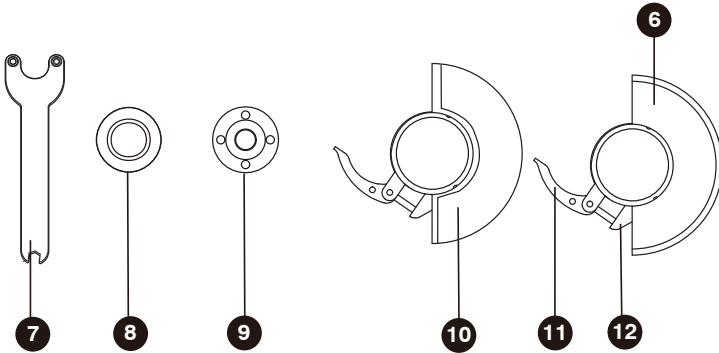
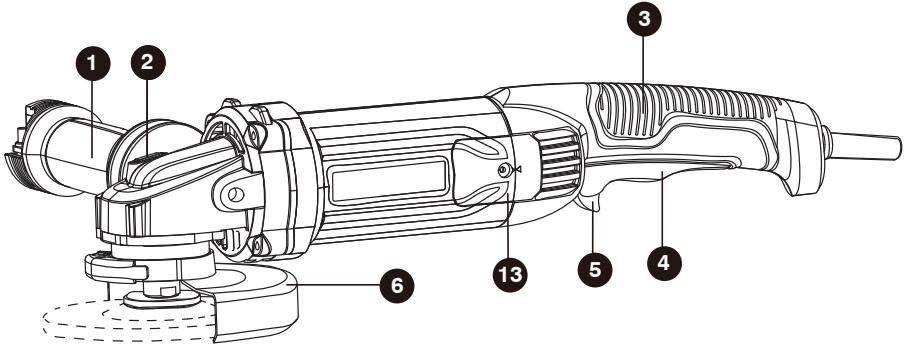
FR

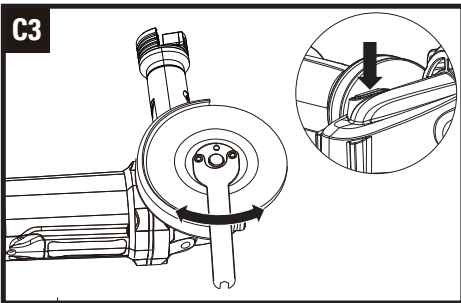
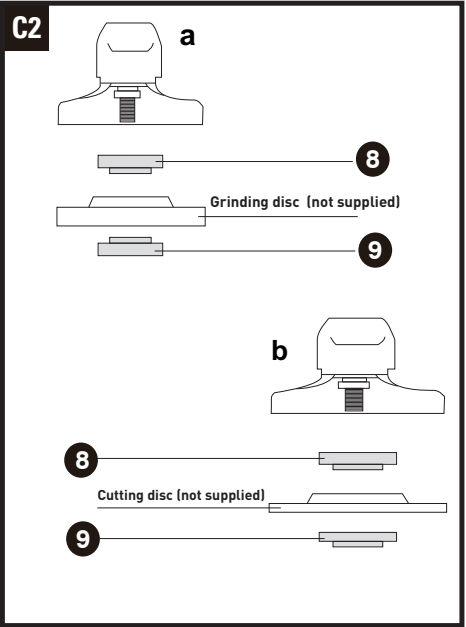
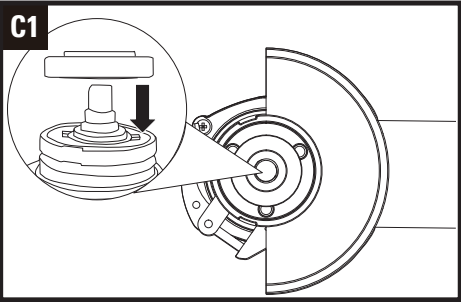
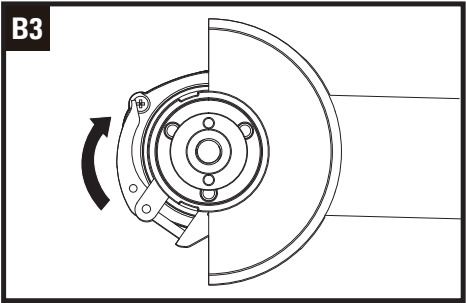
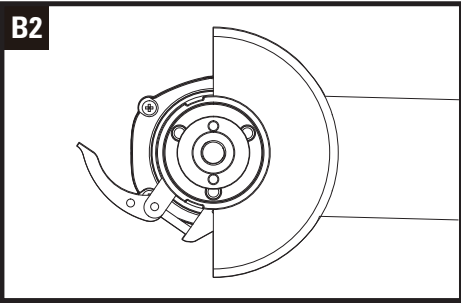
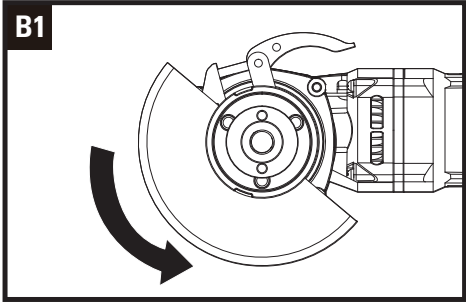
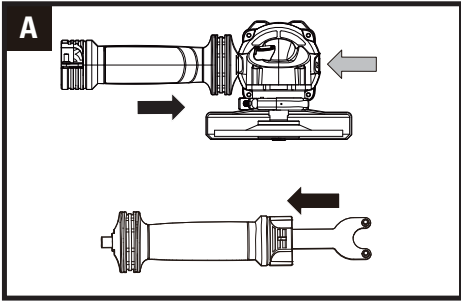
P12

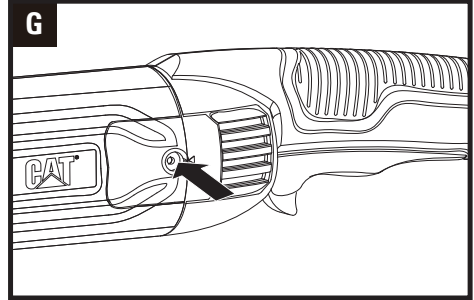
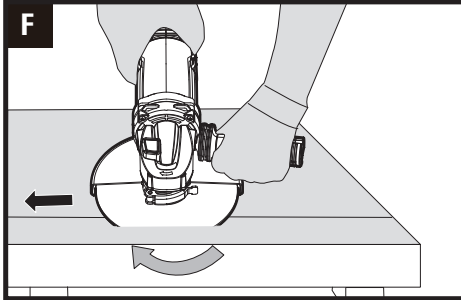
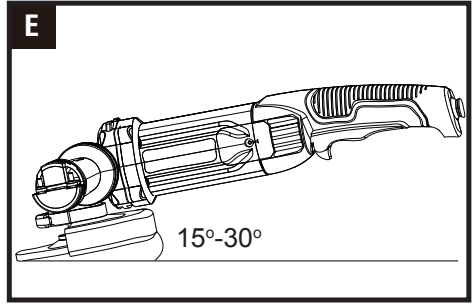
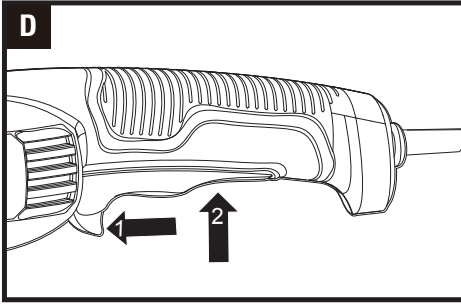
LIJADORA ANGULAR DE 125 MM

ES

P20








COMPONENT LIST

1. AUXILIARY HANDLE
2. SPINDLE LOCK BUTTON
3. REAR HANDLE
4. ON/OFF SWITCH
5. LOCK-OFF BUTTON
6. WHEEL GUARD FOR GRINDING
7. SPANNER
8. INNER FIANGE
9. OUTER FIANGE
10. WHEEL GUARD FOR CUTTING
11. GUARD CLAMPING LEVER
12. CLAMP ADJUSTMENT SCREW
13. BRUSH COVER


* Not all the accessories illustrated or described are included in standard delivery.

PRODUCT SAFETY

 **WARNING:** Some dust created by power sanding, sawing, grinding, drilling and other construction activities contains chemicals known to the State of California to cause cancer, birth defects or other reproductive harm. Some examples of these chemicals are:

- Lead from lead-based paints;
- Crystalline silica from bricks and cement and other masonry products;
- Arsenic and chromium from chemically-treated lumber.

Your risk from these exposures varies, depending on how often you do this type of work. To reduce your exposure to these chemicals: work in a well ventilated area, and work with approved safety equipment, such as those dust masks that are specially designed to filter out microscopic particles.

 **WARNING:** This product can expose you to chemicals including lead and Di(2-ethylhexyl) phthalate (DEHP) which are known to the State of California to cause cancer and birth defects or other reproductive harm. For more information go to www.P65Warnings.ca.gov.

GENERAL POWER TOOL SAFETY WARNINGS

 **WARNING!** Read all safety warnings and all instructions. Failure to follow the warnings and

instructions may result in electric shock, fire and/or serious injury.

Save all warnings and instructions for future reference. The term "power tool" in the warnings refers to your mains-operated (corded) power tool or battery-operated (cordless) power tool.

1. WORK AREA SAFETY

- a) Keep work area clean and well lit. Cluttered or dark areas invite accidents.
- b) Do not operate power tools in explosive atmospheres, such as in the presence of flammable liquids, gases or dust. Power tools create sparks which may ignite the dust or fumes.
- c) Keep children and bystanders away while operating a power tool. Distractions can cause you to lose control.

2. ELECTRICAL SAFETY

- a) Power tool plugs must match the outlet. Never modify the plug in any way. Do not use any adapter plugs with earthed (grounded) power tools. Unmodified plugs and matching outlets will reduce risk of electric shock.
- b) Avoid body contact with earthed or grounded surfaces, such as pipes, radiators, ranges and refrigerators. There is an increased risk of electric shock if your body is earthed or grounded.
- c) Do not expose power tools to rain or wet

conditions. *Water entering a power tool will increase the risk of electric shock.*

- d) **Do not abuse the cord. Never use the cord for carrying, pulling or unplugging the power tool. Keep cord away from heat, oil, sharp edges or moving parts. Damaged or entangled cords increase the risk of electric shock.**
- e) **When operating a power tool outdoors, use an extension cord suitable for outdoor use. Use of a cord suitable for outdoor use reduces the risk of electric shock.**
- f) **If operating a power tool in a damp location is unavoidable, use a residual current device (RCD) protected supply. Use of an RCD reduces the risk of electric shock.**

3. PERSONAL SAFETY

- a) **Stay alert, watch what you are doing and use common sense when operating a power tool. Do not use a power tool while you are tired or under the influence of drugs, alcohol or medication. A moment of inattention while operating power tools may result in serious personal injury.**
- b) **Use personal protective equipment. Always wear eye protection. Protective equipment such as dust mask, non-skid safety shoes, hard hat, or hearing protection used for appropriate conditions will reduce personal injuries.**
- c) **Prevent unintentional starting. Ensure the switch is in the off-position before connecting to power source and/or battery pack, picking up or carrying the tool. Carrying power tools with your finger on the switch or energising power tools that have the switch on invites accidents.**
- d) **Remove any adjusting key or wrench before turning the power tool on. A wrench or a key left attached to a rotating part of the power tool may result in personal injury.**
- e) **Do not overreach. Keep proper footing and balance at all times. This enables better control of the power tool in unexpected situations.**
- f) **Dress properly. Do not wear loose clothing or jewelry. Keep your hair, clothing and gloves away from moving parts. Loose clothes, jewelry or long hair can be caught in moving parts.**
- g) **If devices are provided for the connection of dust extraction and collection facilities, ensure these are connected and properly used. Use of dust collection can reduce dust-related hazards.**

4. POWER TOOL USE AND CARE

- a) **Do not force the power tool. Use the correct power tool for your application. The correct power tool will do the job better and safer at the rate for**

which it was designed.

- b) **Do not use the power tool if the switch does not turn it on and off. Any power tool that cannot be controlled with the switch is dangerous and must be repaired.**
- c) **Disconnect the plug from the power source and/or the battery pack from the power tool before making any adjustments, changing accessories, or storing power tools. Such preventive safety measures reduce the risk of starting the power tool accidentally.**
- d) **Store idle power tools out of the reach of children and do not allow persons unfamiliar with the power tool or these instructions to operate the power tool. Power tools are dangerous in the hands of untrained users.**
- e) **Maintain power tools. Check for misalignment or binding of moving parts, breakage of parts and any other condition that may affect the power tool's operation. If damaged, have the power tool repaired before use. Many accidents are caused by poorly maintained power tools.**
- f) **Keep cutting tools sharp and clean. Properly maintained cutting tools with sharp cutting edges are less likely to bind and are easier to control.**
- g) **Use the power tool, accessories and tool bits etc. in accordance with these instructions, taking into account the working conditions and the work to be performed. Use of the power tool for operations different from those intended could result in a hazardous situation.**

5. SERVICE

- a) **Have your power tool serviced by a qualified repair person using only identical replacement parts. This will ensure that the safety of the power tool is maintained.**

SAFETY INSTRUCTIONS FOR ALL OPERATIONS:

Safety Warnings Common for Grinding or Abrasive Cutting-Off Operations:

- a) **This power tool is intended to function as a grinder or cut-off tool. Read all safety warnings, instructions, illustrations and specifications provided with this power tool. Failure to follow all instructions listed below may result in electric shock, fire and/or serious injury.**
- b) **Operations such as sanding, wire brushing, polishing are not recommended to be performed with this power tool. Operations for which the**

power tool was not designed may create a hazard and cause personal injury.

- c) **Do not use accessories which are not specifically designed and recommended by the tool manufacturer.** *Just because the accessory can be attached to your power tool, it does not assure safe operation.*
- d) **The rated speed of the accessory must be at least equal to the maximum speed marked on the power tool.** *Accessories running faster than their rated speed can break and fly apart.*
- e) **The outside diameter and the thickness of your accessory must be within the capacity rating of your power tool.** *Incorrectly sized accessories cannot be adequately guarded or controlled.*
- f) **Threaded mounting of accessories must match the grinder spindle thread. For accessories mounted by flanges, the arbour hole of the accessory must fit the locating diameter of the flange.** *Accessories that do not match the mounting hardware of the power tool will run out of balance, vibrate excessively and may cause loss of control.*
- g) **Do not use a damaged accessory. Before each use inspect the accessory such as abrasive wheels for chips and cracks, backing pad for cracks, tear or excess wear, wire brush for loose or cracked wires. If power tool or accessory is dropped, inspect for damage or install an undamaged accessory. After inspecting and installing an accessory, position yourself and bystanders away from the plane of the rotating accessory and run the power tool at maximum no-load speed for one minute.** *Damaged accessories will normally break apart during this test time.*
- h) **Wear personal protective equipment. Depending on application, use face shield, safety goggles or safety glasses. As appropriate, wear dust mask, hearing protectors, gloves and workshop apron capable of stopping small abrasive or workpiece fragments.** *The eye protection must be capable of stopping flying debris generated by various operations. The dust mask or respirator must be capable of filtering particles generated by your operation. Prolonged exposure to high intensity noise may cause hearing loss.*
- i) **Keep bystanders a safe distance away from work area. Anyone entering the work area must wear personal protective equipment.** *Fragments of workpiece or of a broken accessory may fly away and cause injury beyond immediate area of operation.*
- j) **Hold power tool by insulated gripping surfaces only, when performing an operation where the cutting accessory may contact hidden wiring or its own cord.** *Cutting accessory contacting a "live" wire may make exposed metal parts of the power tool "live" and could give the operator an electric shock.*
- k) **Position the cord clear of the spinning accessory.** *If you lose control, the cord may be cut or snagged and your hand or arm may be pulled into the spinning accessory.*
- l) **Never lay the power tool down until the accessory has come to a complete stop.** *The spinning accessory may grab the surface and pull the power tool out of your control.*
- m) **Do not run the power tool while carrying it at your side.** *Accidental contact with the spinning accessory could snag your clothing, pulling the accessory into your body.*
- n) **Regularly clean the power tool's air vents.** *The motor's fan will draw the dust inside the housing and excessive accumulation of powdered metal may cause electrical hazards.*
- o) **Do not operate the power tool near flammable materials.** *Sparks could ignite these materials.*
- p) **Do not use accessories that require liquid coolants.** *Using water or other liquid coolants may result in electrocution or shock.*

FURTHER SAFETY INSTRUCTIONS FOR ALL OPERATIONS

Kickback and Related Warnings

Kickback is a sudden reaction to a pinched or snagged rotating wheel, backing pad, brush or any other accessory. Pinching or snagging causes rapid stalling of the rotating accessory which in turn causes the uncontrolled power tool to be forced in the direction opposite of the accessory's rotation at the point of the binding.

For example, if an abrasive wheel is snagged or pinched by the workpiece, the edge of the wheel that is entering into the pinch point can dig into the surface of the material causing the wheel to climb out or kick out. The wheel may either jump toward or away from the operator, depending on direction of the wheel's movement at the point of pinching. Abrasive wheels may also break under these conditions.

Kickback is the result of power tool misuse and/or incorrect operating procedures or conditions and can be avoided by taking proper precautions as given below.

- a) **Maintain a firm grip on the power tool and position your body and arm to allow you to resist kickback forces. Always use auxiliary handle, if provided,**

for maximum control over kickback or torque reaction during start-up. The operator can control torque reactions or kickback forces, if proper precautions are taken.

- b) **Never place your hand near the rotating accessory.** Accessory may kickback over your hand.
- c) **Do not position your body in the area where power tool will move if kickback occurs.** Kickback will propel the tool in direction opposite to the wheel's movement at the point of snagging.
- d) **Use special care when working corners, sharp edges etc. Avoid bouncing and snagging the accessory.** Corners, sharp edges or bouncing have a tendency to snag the rotating accessory and cause loss of control or kickback.
- e) **Do not attach a saw chain woodcarving blade or toothed saw blade.** Such blades create frequent kickback and loss of control.

ADDITIONAL SAFETY INSTRUCTIONS FOR GRINDING AND CUTTING-OFF OPERATIONS

Safety Warnings Specific for Grinding and Abrasive Cutting-Off Operations:

- a) **Use only wheel types that are recommended for your power tool and the specific guard designed for the selected wheel.** Wheels for which the power tool was not designed cannot be adequately guarded and are unsafe.
- b) **The grinding surface of center depressed wheels must be mounted below the plane of the guard lip.** An improperly mounted wheel that projects through the plane of the guard lip cannot be adequately protected.
- c) **The guard must be securely attached to the power tool and positioned for maximum safety, so the least amount of wheel is exposed towards the operator.** The guard helps to protect operator from broken wheel fragments and accidental contact with wheel and sparks that could ignite clothing.
- d) **Wheels must be used only for recommended applications.** For example: do not grind with the side of cut-off wheel. Abrasive cut-off wheels are intended for peripheral grinding, side forces applied to these wheels may cause them to shatter.
- e) **Always use undamaged wheel flanges that are of correct size and shape for your selected wheel.** Proper wheel flanges support the wheel thus reducing the possibility of wheel breakage. Flanges for cut-off wheels may be different from

grinding wheel flanges.

- f) **Do not use worn down wheels from larger power tools.** Wheel intended for larger power tool is not suitable for the higher speed of a smaller tool and may burst.

ADDITIONAL SAFETY INSTRUCTIONS FOR CUTTING-OFF OPERATIONS

Additional Safety Warnings Specific for Abrasive Cutting-Off Operations:

- a) **Do not "jam" the cut-off wheel or apply excessive pressure. Do not attempt to make an excessive depth of cut.** Overstressing the wheel increases the loading and susceptibility to twisting or binding of the wheel in the cut and the possibility of kickback or wheel breakage.
- b) **Do not position your body in line with and behind the rotating wheel.** When the wheel, at the point of operation, is moving away from your body, the possible kickback may propel the spinning wheel and the power tool directly at you.
- c) **When wheel is binding or when interrupting a cut for any reason, switch off the power tool and hold the power tool motionless until the wheel comes to a complete stop. Never attempt to remove the cut-off wheel from the cut while the wheel is in motion otherwise kickback may occur.** Investigate and take corrective action to eliminate the cause of wheel binding.
- d) **Do not restart the cutting operation in the workpiece. Let the wheel reach full speed and carefully reenter the cut.** The wheel may bind, walk up or kickback if the power tool is restarted in the workpiece.
- e) **Support panels or any oversized workpiece to minimize the risk of wheel pinching and kickback.** Large workpieces tend to sag under their own weight. Supports must be placed under the workpiece near the line of cut and near the edge of the workpiece on both sides of the wheel.
- f) **Use extra caution when making a "pocket cut" into existing walls or other blind areas.** The protruding wheel may cut gas or water pipes, electrical wiring or objects that can cause kickback.

SYMBOLS



To reduce the risk of injury, user must read instruction manual



Wear eye protection



Warning



Wear dust mask




Wear ear protection



Double insulation

TECHNICAL DATA

Type Designation DX361U (361 - designation of machinery, representative of angle grinder)

Voltage	120V~60Hz
Rated power	13A
No load speed	10,000 /min
Disc size	5 in. (125 mm)
Disc bore	7/8 in. (22.2 mm)
Spindle thread	5/8 in. -11
Diameter of grinding wheels	5 in. (125 mm)
Max. Thickness of grinding wheels	1/4 in. (6 mm)
Protection class	 /II
Machine weight	5.71 lbs (2.59 kg)

EN

ACCESSORIES

Auxiliary handle	1
Spanner	1
Wheel guard for cutting	1
Wheel guard for grinding	1

We recommend that you purchase your accessories from the same store that sold you the tool. Refer to the accessory packaging for further details. Store personnel can assist you and offer advice.

This tool may cause hand-arm vibration syndrome if its use is not adequately managed

OPERATING INSTRUCTIONS



NOTE: Before using the tool, read the instruction book carefully.

INTENDED USE

The machine is intended for cutting, roughing metal and stone materials without using water. For cutting metal, a special protection guard for cutting (accessory) must be used.

1. INSTALLING THE AUXILIARY HANDLE (SEE FIG. A)

You have the option of two working positions to provide the safest and most comfortable control of your angle grinder.

Vibration-dampening Auxiliary Handle

The vibration-dampening auxiliary handle reduces the vibrations, making operation more comfortable and secure. Your tool is equipped with an auxiliary handle that can be used for storage of the spanner.

2. HAND GRIP AREAS

Always hold your angle grinder firmly with both hands when operating.

3. ADJUSTING WHEEL GUARD (SEE FIG. B)

For work with grinding or cutting discs, the wheel guard must be mounted.

Wheel Guard for Grinding

The coded projection on the wheel guard ensures that only a guard that fits the machine type can be mounted. Open the clamping lever. Place the wheel guard with coded projection into the coded groove on the spindle of the machine head and rotate to the required position (working position).

To fasten the wheel guard, close the clamping lever. The closed side of the wheel guard must always point to the operator.

NOTE: With the clamping lever open the clamp adjusting screw can be adjusted to ensure the guard is securely clamped after the clamping lever is finally closed.

Wheel Guard for Cutting



WARNING: For cutting metal, always work with the wheel guard for cutting. The wheel guard for cutting is mounted in the same manner as the wheel guard for grinding.

4. SPINDLE LOCK BUTTON

Must only be used when changing a disc. Never press when the disc is rotating!

5. FITTING THE DISCS (NOT SUPPLIED) (SEE FIG. C)

Put the inner flange onto the tool spindle. Ensure it is located on the two flats of spindle (See Fig. C1). Place the disc on the tool spindle and inner flange. Ensure it is correctly located.

Fit the threaded outer flange making sure it is facing in the correct direction for the type of disc fitted. For grinding discs, the flange is fitted with the raised portion facing towards the disc. For cutting discs, the flange is fitted with the raised portion facing away from the disc (See Fig. C2).

Press in the spindle lock button and rotate the spindle by hand provided until it is locked. Keeping the lock button pressed in, tighten the outer flange with the spanner provided (See Fig. C3).

6. SAFETY ON/OFF SWITCH (SEE FIG. D)

Your switch is locked off to prevent accidental starting. Push the lock-off button then depress the on/off switch and release the lock-off button. Your switch is now on. To switch off, just release the on/off switch.

7. TO USE THE GRINDER (SEE FIG. E)



ATTENTION: Do not switch the grinder on whilst the disc is in contact with the workpiece. Allow the disc to reach full speed before starting to grind.

Hold your angle grinder with one hand on the main handle and other hand firmly around the auxiliary handle.

Always position the guard so that as much of the exposed disc as possible is pointing away from you. Be prepared for a stream of sparks when the disc touches the metal.

For best tool control, material removal and minimum overloading, maintain an angle between the disc and work surface of approximately 15°-30° when grinding. Use caution when working into corners as contact with the intersecting surface may cause the grinder to jump or twist.

When grinding is complete allow the workpiece to cool. Do not touch the hot surface.

8. CUTTING (SEE FIG. F)



WARNING: For cutting metal, always work with the wheel guard for cutting.

When cutting, do not press, tilt or oscillate the machine. Work with moderate feed, adapted to the material being cut. Do not reduce the speed of running down cutting discs by applying sideward pressure.

The direction in which the cutting is performed is important.

The machine must always work in an up-grinding motion. Therefore, never move the machine in the other direction! Otherwise, the danger exists of it being pushed uncontrolled out of the cut.

9. TO REPLACE THE BRUSHES (SEE FIG. G)

Before any work on the machine itself, pull the mains plug.

Remove the screw securing the motor brush cover. Remove the cover, gently lift out, and pull the spade connector free. Hold back the coil spring and slide the worn brush out of the housing, carefully release the spring. Locate the replacement brush, (in the same orientation) whilst again holding back the coil spring. Ensure the brush is located and free to move, release the spring; it should now sit within the groove on the brush. Re-attach the spade connector to the terminal, replace the cover and secure.

WORKING HINTS FOR YOUR GRINDER

1. Your angle grinder is useful for both cutting through metals, i.e. for removing screw heads, and also for cleaning / preparing surfaces, i.e. before and after welding operations.
2. Different types of wheel/cutter will allow the grinder to meet various needs. Typically, wheels/cuttings are available for mild steel, stainless steel, stone and brick. Diamond impregnated discs are available for very hard materials.
3. If the grinder is used on soft metals such as aluminum, the wheel will soon clog and will have to be changed.
4. At all times, let the grinder do the work, do not force it or apply excessive pressure to the wheel/disc.
5. If cutting a slot ensures that the cutter is kept aligned with the slot, twisting the cutter may cause the disc to shatter. If cutting through thin sheet only allow material, excessive penetration can increase the chance of causing damage.
6. If cutting stone or brick, it is advisable to use a dust extractor.

TROUBLESHOOTING

Although your new angle grinder is really very simple to operate, if you do experience problems, please check the following:

1. If your grinder will not operate check the power at the main plug.
2. If your grinder wheel wobbles or vibrates, check that outer flange is tight, check that the wheel is correctly located on the flange plate.
3. If there is any evidence that the wheel is damaged do not use as the damaged wheel may disintegrate, remove it and replace with a new wheel. Dispose of old wheels sensibly.
4. If working on aluminum or a similar soft alloy, the wheel will soon become clogged and will not grind effectively.
5. If a fault cannot be rectified, return the tool to an authorized dealer or its service agent for repair.

MAINTENANCE

Remove the plug from the socket before carrying out any adjustment, servicing or maintenance.

Your power tool requires no additional lubrication or maintenance. There are no user serviceable parts in your power tool. Never use water or chemical cleaners to clean your power tool. Wipe clean with a dry cloth. Always store your power tool in a dry place. Keep the motor ventilation slots clean. Keep all working controls free of dust. Occasionally you may see sparks through the ventilation slots. This is normal and will not damage your power tool.


If the supply cord is damaged, it must be replaced by the manufacturer, its service agent or similarly qualified persons in order to avoid a hazard.

LISTE DES ÉLÉMENTS

1. POIGNÉE AUXILIAIRE
2. BOUTON DE VERROUILLAGE DE LA BROCHE
3. POIGNÉE ARRIÈRE
4. BOUTON ON / OFF
5. BOUTON DE VERROUILLAGE
6. PROTECTEUR DE MEULE POUR LE MEULAGE
7. CLE A MOLETTE
8. CHAMP INTÉRIEUR
9. CHAMP EXTÉRIEUR
10. PROTECTEUR DE MEULE POUR LA COUPE
11. LEVIER DE SERRAGE DE GARDE
12. VIS DE RÉGLAGE DE LA PINCE
13. COUVERCLE DE BROSSE

* Les accessoires illustrés ou décrits ne sont pas tous compris dans le cadre de la livraison standard.

SÉCURITÉ DU PRODUIT

 **AVERTISSEMENT:** Certaines des poussières produites en utilisant des outils électriques sont considérées par l'État de Californie comme susceptibles de provoquer le cancer, des anomalies congénitales et d'autres problèmes de reproduction.


Voici des exemples de ces produits chimiques:

- Plomb issu de peinture à base de plomb;
- Silice cristalline issue de briques et du ciment et autres produits de maçonnerie;
- Arsenic et chrome issus de bois traité chimiquement.

Votre risque de ces expositions varie en fonction de la fréquence à laquelle vous effectuez ce travail. Pour réduire votre exposition à ces produits chimiques : travaillez dans une zone bien ventilée; portez un équipement de sécurité approuvé, tel que des masques anti poussières spécialement conçus pour éliminer les particules microscopiques par filtrage.

 **AVERTISSEMENT:** Ce dispositif peut vous exposer aux produits chimiques notamment le plomb et le di-phtalate (de 2-éthylhexyle) (DEHP) qui sont reconnus dans l'État de Californie comme causant des cancers et des anomalies congénitales ou d'autres anomalies de la reproduction. Pour en savoir plus, veuillez consulter le site www.P65Warnings.ca.gov.

AVERTISSEMENTS GÉNÉRAUX CONCERNANT LA SÉCURITÉ DES OUTILS ÉLECTRIQUES

 **AVERTISSEMENT:** Lisez et assimilez toutes les instructions. Le non-respect des instructions ci-après peut entraîner un risque de choc électrique, d'incendie et/ou de blessures graves.

Conservez tous les avertissements et instructions pour pouvoir les consulter ultérieurement.

L'expression « outil électrique » dans tous les avertissements énumérés ci-dessous se réfère à votre outil électrique fonctionnant sur secteur (branché) ou à batterie (sans-fil).

1. SÉCURITÉ SUR LA ZONE DE TRAVAIL

- Maintenir une zone de travail propre et bien éclairée.** Des zones encombrées et mal éclairées sont sources d'accidents.
- Ne pas utiliser d'appareils électriques dans des environnements explosifs, tels qu'à proximité de liquides, de gaz ou de poussières inflammables.** Les appareils électriques produisent des étincelles susceptibles d'enflammer la poussière ou les vapeurs présentes.
- Éloigner les enfants et toute personne se trouvant à proximité pendant l'utilisation d'un appareil électrique.** Ceux-ci pourraient vous distraire et vous faire perdre la maîtrise de l'appareil.

2. SÉCURITÉ ÉLECTRIQUE

- a) **Les prises des appareils électriques doivent correspondre aux prises du secteur. Ne modifiez jamais la prise en aucune façon. Ne jamais utiliser d'adaptateur sur la prise électrique d'appareil mis à la terre.** *Des prises non modifiées, adaptées aux boîtiers de prise de courant, réduiront les risques de décharge électrique.*
- b) **Éviter le contact corporel avec les surfaces mises à la terre telles que tuyaux, radiateurs, cuisinières et réfrigérateurs.** *Le risque de décharge électrique est plus important si votre corps est mis à la terre.*
- c) **Ne pas exposer votre appareil électrique à la pluie ou à l'humidité.** *L'infiltration d'eau dans un appareil électrique augmentera le risque de décharge électrique.*
- d) **Ne pas maltraiter le cordon électrique. N'utilisez jamais le cordon électrique pour porter, tirer ou débrancher l'appareil électrique. Conservez le cordon électrique à l'écart de la chaleur, de l'essence, de bords tranchants ou de pièces en mouvement.** *Un cordon électrique endommagé ou entortillé accroît le risque de décharge électrique.*
- e) **Au cas où l'appareil électroportatif serait utilisé à l'extérieur, servez-vous d'une rallonge appropriée à une utilisation en extérieur.** *Cela réduit le risque de décharge électrique.*
- f) **Si une utilisation de l'appareil dans un environnement humide ne peut être évitée, utilisez une alimentation protégée par un disjoncteur différentiel.** *L'utilisation d'un disjoncteur différentiel réduit le risque de décharge électrique.*

3. SÉCURITÉ DES PERSONNES

- a) **Rester vigilant et faire preuve de bon sens lors de la manipulation de l'appareil. Ne pas utiliser d'appareil électrique en état de fatigue ou sous l'influence de drogues, d'alcool ou de médicaments.** *Un moment d'inattention pendant l'utilisation d'un appareil électrique peut se traduire par des blessures graves.*
- b) **Porter des équipements de protection. Porter toujours des lunettes de protection.** *Le port d'équipements de protection tels que des masques à poussières, des chaussures de sécurité antidérapantes, un casque de sécurité ou des protections antibruit, selon le travail à effectuer, réduira le risque de blessures aux personnes.*
- c) **Éviter tout démarrage accidentel. S'assurer que la gâchette marche-arrêt soit en position d'arrêt (Off) avant de brancher l'appareil sur l'alimentation**

secteur. Porter un appareil électrique tout en maintenant le doigt posé sur la gâchette ou brancher un appareil électrique dont la gâchette est sur la position de marche est source d'accidents.

- d) **Enlever toute clé ou tout instrument de réglage avant de mettre l'appareil électrique en marche.** *Une clé ou un instrument de réglage resté fixé à un élément en rotation de l'appareil électrique peut entraîner des blessures physiques.*
- e) **Ne pas essayer d'atteindre une zone hors de portée. Se tenir toujours en position stable et conserver l'équilibre.** *Cela permet de mieux contrôler l'appareil électrique dans des situations inattendues.*
- f) **Porter des vêtements appropriés. Ne pas porter de vêtements amples ou des bijoux pendants.** **Garder les cheveux et vêtements à l'écart des parties mobiles.** *Les vêtements amples, les bijoux pendants ou les cheveux longs peuvent être happés par les pièces en mouvement.*
- g) **Si l'appareil est pourvu de dispositifs destinés au raccord d'équipements d'extraction et de récupération de la poussière/sciure, s'assurer qu'ils soient bien fixés et utilisés correctement.** *L'utilisation de ces dispositifs peut réduire les risques dus à la poussière.*

4. UTILISATION ET ENTRETIEN D'APPAREILS ÉLECTRIQUES

- a) **Ne pas surcharger l'appareil électrique. Utiliser l'appareil électrique approprié au travail à effectuer.** *Un appareil électrique adapté et employé au rythme pour lequel il a été conçu permettra de réaliser un travail de meilleure qualité et dans de meilleures conditions de sécurité.*
- b) **Ne pas utiliser un appareil électrique dont l'interrupteur marche-arrêt est hors service.** *Tout appareil électrique dont la commande ne s'effectue plus par la gâchette marche/arrêt est dangereux et doit être réparé.*
- c) **Débrancher l'appareil électrique avant d'effectuer tout réglage, changement d'accessoire ou avant de le ranger.** *De telles mesures préventives réduiront les risques de démarrage accidentel.*
- d) **Ranger les appareils électriques inutilisés hors de portée des enfants et ne pas permettre l'utilisation de ces appareils aux personnes novices ou n'ayant pas connaissance de ces instructions.** *Les appareils électriques sont dangereux dans les mains d'utilisateurs inexpérimentés.*
- e) **Veiller à l'entretien des appareils électriques.** **Vérifier que les éléments rotatifs soient bien**

alignés et non grippés. S'assurer de l'absence de pièces cassées ou endommagées susceptibles de nuire au bon fonctionnement de l'appareil. Si l'appareil électrique est endommagé, le faire réparer avant toute utilisation. De nombreux accidents sont causés par l'utilisation d'appareils électriques mal entretenus.

- f) **Garder les appareils de coupe affûtés et propres.** Des appareils de coupe bien entretenus, aux tranchants bien affûtés, sont moins susceptibles de se gripper et sont plus faciles à contrôler.
- g) **Utiliser l'appareil électrique, les accessoires et les appareils à monter, etc., conformément à ces instructions et selon l'utilisation prévue pour le type d'appareil donné, en tenant compte des conditions de travail et de la tâche à réaliser.** Toute utilisation de cet outil électrique autre que celle pour laquelle il a été conçu peut entraîner des situations à risque et entraînerait une annulation de sa garantie.

5. ENTRETIEN

- a) **Ne faire réparer l'appareil électrique que par un réparateur qualifié utilisant uniquement des pièces de rechange identiques.** Cela permettra d'assurer la sécurité continue de cet outil électrique.

INFORMATIONS SUPPLEMENTAIRES DE SECURITE POUR VOTRE MEULEUSE D'ANGLE

Avertissements de sécurité communs les opérations de tronçonnage par meulage ou abrasion :

- a) **Cet outil électrique est destiné à faire office de broyeuse, ou instrument de coupe.** Lisez tous les avertissements de sécurité, instructions, illustrations et spécifications fournies avec l'outil. En ne suivant pas toutes les instructions listées ci-dessous, vous vous exposez à une possible électrocution, un incendie et/ou des blessures graves.
- b) **Il n'est pas recommandé de réaliser les opérations telles que le brossage, le polissage avec cet outil électrique.** Les opérations pour lesquelles l'outil électrique a été conçu peuvent représenter un danger et causer des blessures corporelles.
- c) **N'utilisez pas d'accessoires qui ne soient pas conçus et recommandés spécifiquement par le fabricant de l'outil.** Le fait que l'accessoire puisse se fixer sur votre outil électrique n'assure pas son

fonctionnement en toute sécurité.

- d) **La vitesse nominale de l'accessoire doit être supérieure ou égale à la vitesse maximale indiquée sur l'outil électrique.** Les accessoires qui tournent plus rapidement que leur valeur nominale peuvent voler en éclats.
- e) **Le diamètre externe et l'épaisseur de votre accessoire doivent être dans la plage de capacité nominale de votre outil électrique.** Les accessoires mal dimensionnés ne peuvent pas être protégés ni commandés de façon adéquate.
- f) **Les dimensions externes des disques, collerettes, plateaux ou autres accessoires doivent s'adapter correctement à l'axe de l'outil électrique.** Les accessoires avec trou d'arbre qui ne correspondent pas au matériel de montage de l'outil électrique vont le déséquilibrer, créer des vibrations excessives et peuvent causer une perte de contrôle.
- g) **Le montage fileté d'accessoires doit être adapté au filet de l'arbre de la meuleuse.** Pour les accessoires montés avec des flasques, l'alésage central de l'accessoire doit s'adapter correctement au diamètre du flasque. Les accessoires qui ne correspondent pas aux éléments de montage de l'outil électrique seront en déséquilibre, vibreront de manière excessive et pourront provoquer une perte de contrôle.
- h) **Portez des équipements de protection personnels.** Selon l'application, utilisez une protection de visage, des lunettes de sécurité ou un masque de sécurité. Selon le cas, portez un masque contre la poussière, des protections auditives, des gants et un tablier pouvant arrêter les petits fragments d'abrasif ou de la pièce. La protection pour les yeux doit être capable d'arrêter les débris volant générés par les différentes opérations. Le masque contre les poussières ou le respirateur doit être capable de filtrer les particules générées par l'utilisation. Une exposition prolongée à du bruit de forte intensité peut causer une perte de l'ouïe.
- i) **Tenez les observateurs à une distance de sécurité de la zone de travail.** Quiconque entrant dans la zone de travail doit porter des équipements de protection personnels. Des fragments de la pièce ou un accessoire cassé peuvent voler et causer des blessures dans les environs immédiates de la zone d'utilisation.
- j) **Tenez l'outil électrique uniquement par les surfaces de prise en main isolantes lorsque vous effectuez une opération où l'accessoire de coupe peut entrer en contact avec des fils cachés ou avec son propre cordon.** L'accessoire de coupe, s'il entre en contact avec un fil "sous tension", peut

mettre les parties métalliques exposées de l'outil "sous tension" et électrocuter l'opérateur.

- k) **Placez le cordon à distance de l'accessoire en rotation.** *Si vous perdez le contrôle, le cordon peut être coupé ou accroché, et votre main ou votre bras peuvent être entraînés vers l'accessoire en rotation.*
- l) **Ne posez jamais l'outil électrique tant que l'accessoire ne s'est pas complètement arrêté.** *L'accessoire en rotation peut accrocher une surface et vous faire perdre le contrôle de l'outil électrique.*
- m) **Ne faites pas tourner l'outil électrique quand vous le portez sur le côté.** *Un contact accidentel avec l'accessoire en rotation peut accrocher vos vêtements, et entraîner l'accessoire vers votre corps.*
- n) **Nettoyez régulièrement les ouïes de ventilation de l'outil électrique.** *Le ventilateur du moteur attire la poussière à l'intérieur du boîtier et une accumulation excessive de poudre métallique peut représenter un danger électrique.*
- o) **N'utilisez pas l'outil électrique près de matériaux inflammables.** *Des étincelles peuvent enflammer ces matériaux.*
- p) **N'utilisez pas des accessoires qui requièrent des liquides de refroidissement.** *L'utilisation d'eau ou d'un autre liquide de refroidissement peut conduire à une électrocution ou un choc électrique.*

INSTRUCTIONS DE SÉCURITÉS SUPPLÉMENTAIRES POUR TOUT USAGE

Avertissements liés aux retours d'efforts

Le retour d'effort est la réaction soudaine à un outil, un plateau, une brosse ou un autre accessoire en rotation et qui est pincé ou accroché. Le pincement ou l'accrochage cause un calage rapide de l'accessoire rotatif qui à son tour force l'outil électrique, devenu incontrôlable, dans le sens opposé à la rotation de l'accessoire, au niveau du point de grippage. Par exemple, un disque abrasif est accroché ou pincé par la pièce à usiner, le bord du disque qui subit le pincement peut creuser la surface du matériau forçant le disque à sortir ou s'éjecter. Le disque peut soit sauter vers l'opérateur, soit dans le sens opposé, selon la direction de mouvement au point de pincement. Les disques abrasifs peuvent également se briser sous certaines conditions.

Le retour d'effort est le résultat d'une mauvaise utilisation de l'outil électrique et/ou de procédures ou de conditions d'utilisation incorrectes, et il peut être

évitée en prenant les précaution ci-dessous.

- a) **Maintenez une prise en main ferme sur l'outil électrique et placez votre corps et votre bras de façon à résister aux retours d'efforts.** *Utilisez toujours la poignée auxiliaire, si elle existe, pour un contrôle maximum du retour d'effort et du couple réactif au démarrage.* *L'opérateur peut contrôler le couple réactif ou les retours d'effort en prenant des précautions appropriées.*
- b) **Ne placez jamais votre main près de l'accessoire rotatif.** *L'accessoire peut subir un retour d'effort vers votre main.*
- c) **Ne placez pas votre corps dans la zone où l'outil électrique se déplacerait en cas de retour d'effort,** *le retour d'effort propulse l'outil dans le sens opposé au mouvement du disque, au niveau du point d'accrochage.*
- d) **Faites très attention lors du travail dans les angles, sur les arêtes vives etc., et évitez le rebond et l'accrochage de l'accessoire.** *Les coins, les arêtes vives et les rebonds ont tendance à bloquer l'accessoire rotatif et peuvent causer une perte de contrôle ou un retour d'effort.*
- e) **N'attachez pas une lame à sculpter de tronçonneuse ou une lame de scie dentée.** *Ces lames créent des risques fréquents de rebond et de perte de contrôle.*

INSTRUCTIONS DE SÉCURITÉ SUPPLÉMENTAIRES POUR LE BROYAGE ET LA COUPE

Avertissements de sécurité spécifiques aux opérations de meulage et de découpe abrasive:

- a) **N'utilisez que les types de disques recommandés pour votre outil électrique, avec la protection conçue spécialement pour le disque choisi.** *Les disques pour lesquels l'outil électrique n'a pas été prévu ne peuvent pas être correctement protégés et ne sont pas sûrs.*
- b) **La surface de meulage des meules à moyeu déporté doit être montée sous le plan de la lèvre du protecteur.** *Une meule montée de manière incorrecte qui dépasse du plan de la lèvre du protecteur ne peut pas être protégée de manière appropriée.*
- c) **La protection doit être fermement fixée à l'outil électrique et placée en vue d'une sécurité maximale, de sorte que le disque soit le moins exposé possible vers l'opérateur.** *La protection aide à protéger l'opérateur contre les fragments de disque brisé et les contacts accidentels avec le*

disque.

- d) **Les disques doivent être utilisés seulement pour les applications recommandées. Par exemple: ne meulez pas avec le bord d'un disque de coupe.** *Les disques de coupe abrasive sont conçus pour le meulage périphérique, les forces latérales appliquées à de tels disques peuvent les casser.*
- e) **Utilisez toujours des collerettes de disques non endommagées et de taille et forme correctes pour le disque choisi.** *Des collerettes de disques adaptées supportent le disque et réduisent ainsi le risque de casse. Les collerettes des disques de découpe peuvent être différentes de celles des disques à meuler.*
- f) **N'utilisez pas de disques usés d'outils électriques plus gros.** *Les disques prévus pour des outils électriques plus gros ne conviennent pas pour les vitesses élevées d'outils plus petits et peuvent éclater.*

INSTRUCTIONS DE SÉCURITÉ SUPPLÉMENTAIRES POUR LA COUPE

Avertissements de sécurité supplémentaires spécifiques aux opérations de découpe abrasive:

- a) **Ne "bloquez" pas le disque de découpe et n'exercez pas de pression excessive. N'essayez pas de faire une profondeur de coupe excessive.** *Une sur-contrainte du disque augmente la charge et la susceptibilité du disque à la torsion ou aux efforts dans la coupe, ainsi que l'éventualité d'un retour d'effort ou de casse du disque.*
- b) **Ne placez pas votre corps dans l'axe ni derrière le disque en rotation.** *Lorsque le disque, au point de fonctionnement, s'éloigne de votre corps, le retour d'effort possible peut propulser le disque en rotation et l'outil électrique directement vers vous.*
- c) **Lorsque le disque est en contrainte ou lorsque vous arrêtez la coupe pour une raison quelconque, éteignez l'outil électrique et maintenez l'outil immobile jusqu'à ce que le disque soit à l'arrêt complet. N'essayez jamais d'enlever le disque de coupe de la coupe pendant qu'il est en mouvement sous peine de risque de retour d'effort.** *Investiguez et prenez des actions correctrices pour éliminer la cause de la contrainte au niveau du disque.*
- d) **Ne redémarrez pas l'opération de coupe sur la pièce à usiner. Laissez le disque atteindre sa pleine vitesse et re-pénétrez dans la coupe avec précaution.** *Le disque peut se contraindre, se soulever ou renvoyer un retour d'effort si l'outil*

électrique est redémarré dans la pièce.

- e) **Soutenez les panneaux ou toute pièce de grandes dimensions, afin de minimiser le risque de pincement de disque et de retour d'effort. Les grandes pièces ont tendance à se plier sous leur propre poids.** *Les supports doivent être placés sous la pièce près de la ligne de coupe et près du bord de la pièce des deux côtés du disque.*
- f) **Faites très attention quand vous faites une "découpe en poche" dans des murs existants ou d'autres zones aveugles.** *Le disque protubérant peut couper des tuyaux de gaz ou d'eau, des fils électriques ou des objets pouvant provoquer un retour d'effort.*

SYMBOLES



Afin de réduire les risques de blessure, l'utilisateur doit lire ce mode d'emploi.



Avertissement



Portez une protection auditive



Portez un protecteur oculaire



Portez un masque anti-poussières.



Double isolation

DONNÉES TECHNIQUES

Type DX361U (désignation 361 de la machine, représentative de la rectifieuse angulaire)

Tension	120V~60Hz
Puissance nominale	13A
Vitesse à vide	10,000 /min
Dimensions du disque	5 in. (125 mm)
Trou du disque	7/8 in. (22.2 mm)
Filetage de la broche	5/8 in. -11
Diamètre des disques de meulages	5 in. (125 mm)
Épaisseur maximale des disques de meulage	1/4 in. (6 mm)
Classe de protection	□/II
Poids de la machine	5.71 lbs (2.59 kg)

ACCESSOIRES

Poignée auxiliaire	1
Clé	1
Protection de meule pour la coupe	1
Protecteur de meule pour le meulage	1

Nous vous recommandons d'acheter tous vos accessoires du même magasin qui vous a vendu l'outil. Pour de plus amples renseignements, consultez l'emballage de l'accessoire. Le personnel du magasin peut également vous conseiller.

FR

Cet outil peut provoquer un syndrome de vibration main-bras si son utilisation n'est pas correctement gérée.

INSTRUCTIONS D'UTILISATION



REMARQUE: Avant d'utiliser cet outil, assurez-vous de lire attentivement le manuel d'utilisation.

UTILISATION PRÉVUE

Cet outil est conçu pour les opérations de tronçonnage, dégrossissage et brossage des matériaux en métal et en pierre sans eau. Pour le tronçonnage de métal, un carter de protection conçu spécifiquement pour le tronçonnage (accessoire) doit être utilisé.

1. RÉGLAGE DE LA POIGNÉE AUXILIAIRE (VOIR FIG. A)

Vous avez deux positions de travail pour fournir le contrôle le plus sûr et le plus confortable de votre meuleuse d'angle.

Poignée auxiliaire de vibrations-amortissant

La poignée auxiliaire de vibrations-amortissant réduit les vibrations, ce qui rend le fonctionnement plus confortable et plus sûr. Votre outil est équipé d'une poignée auxiliaire qui peut être utilisée pour le stockage de la clé.

2. ZONES DE PRÉHENSION

Tenez toujours votre meuleuse d'angle fermement avec les deux mains lorsque vous l'utilisez.

3. RÉGLAGE DE LA PROTECTION DE MEULE (VOIR FIG. B)

Pour les travaux avec des disques de meulage ou de coupe, le protecteur doit être monté.

Protection de meule pour le meulage

Les brides intérieur et extérieur doivent être retirés avant d'installer le carter de roue.

La projection codée sur la protection de meule garantit que seul une protection adaptée au type de machine peut être montée. Ouvrez le levier de serrage. Placez la protection de meule avec saillie codée dans la rainure codée de l'axe de la tête de la machine et tournez-la dans la position souhaitée (position de travail).

Pour fixer la protection de meule, fermez le levier de serrage.

Le côté fermé de la protection de meule doit toujours pointer vers l'opérateur.

REMARQUE: Lorsque le levier de serrage est ouvert, la vis de réglage de la pince peut être ajustée pour s'assurer que la protection est fermement serrée après que le levier de serrage est finalement fermé.

Protection de meule pour la coupe



AVERTISSEMENT: Pour couper du métal, travaillez toujours avec la protection de roue pour la coupe. La protection de meule pour la coupe est montée de la même manière que la protection de meule pour le meulage.

4. BOUTON DE VERROUILLAGE DE LA BROCHE

Doit être utilisé uniquement lors du changement de disque. N'appuyez jamais lorsque le disque tourne!

5. MONTAGE DES DISQUES (NON FOURNIS) (VOIR FIG. C)

Placer la bride intérieure sur la broche de l'outil. Placez le disque sur la broche porte-outil et la bride intérieure. Assurez-vous qu'il est correctement localisé. (Voir Fig. C1) Monter la bride extérieure filetée en veillant à ce qu'elle soit orientée dans le bon sens pour le type de disque installé. Pour les disques de meulage (non fournis), la bride est équipée de la partie surélevée tournée vers le disque. Pour les disques de coupe (non fournis), la bride est équipée avec la partie surélevée tournée vers l'opposé du disque. (Voir Fig. C2)

Appuyez sur le bouton de verrouillage de la broche et faites tourner la broche à la main jusqu'à ce qu'elle soit verrouillée. En maintenant le bouton de verrouillage enfoncé, serrez la bride extérieure avec la clé fournie. (Voir Fig. C3)

6. INTERRUPTEUR MARCHE / ARRÊT SÉCURISÉ (VOIR FIG. D)

Votre interrupteur est verrouillé pour éviter tout démarrage accidentel. Appuyez sur le bouton de verrouillage puis sur l'interrupteur marche / arrêt et relâchez le bouton de verrouillage. Votre interrupteur est maintenant activé. Pour éteindre, relâchez simplement l'interrupteur marche / arrêt.

7. POUR UTILISER LA MEULEUSE (VOIR FIG. E)



ATTENTION: N'allumez pas la meuleuse lorsque le disque est en contact avec la pièce. Laissez le disque atteindre sa vitesse maximale avant de commencer à travailler.

Tenez votre meuleuse d'angle avec une main sur la poignée principale et l'autre fermement autour de la poignée auxiliaire. Positionnez toujours la protection de manière à ce que la plus grande possible partie exposée du disque soit dirigée vers vous. Soyez prêt pour un flot d'étincelles lorsque le disque touche le métal.

Pour un meilleur contrôle de l'outil, un meilleur enlèvement de matière et une surcharge minimale, maintenez un angle d'environ 15 à 30° entre le disque et la surface de travail lors du meulage. Soyez prudent lorsque vous travaillez dans les coins, car le contact

avec la surface qui se croise peut faire sauter ou tordre le broyeur.

Une fois le meulage terminé, laissez la pièce refroidir.

Ne touchez pas la surface chaude.

8. COUPE (VOIR FIG. F)



AVERTISSEMENT: Pour couper du métal, travaillez toujours avec la protection de roue pour la coupe.

Lors de la coupe, ne pas appuyer, incliner ou faire osciller la machine. Travaillez avec une avance modérée, adaptée au matériau à couper.

Ne réduisez pas la vitesse de descente des disques de coupe en appliquant une pression latérale.

La direction dans laquelle la coupe est effectuée est importante.

La machine doit toujours travailler dans un mouvement de rectification vers le haut. Par conséquent, ne déplacez jamais la machine dans l'autre sens! Sinon, le danger existe lorsqu'elle est poussée de façon incontrôlée hors de la coupure.

9. POUR REMPLACER LES BROSSES (VOIR FIG. G)

Avant tout travail sur la machine, débranchez la prise secteur.

Retirez la vis fixant le couvercle de la brosse du moteur. Retirez le couvercle, soulevez-le délicatement et tirez le connecteur à cosse vers l'extérieur. Retenez le ressort hélicoïdal et faites glisser la brosse usée hors du boîtier, relâchez soigneusement le ressort. Placez la brosse de rechange (dans la même orientation) tout en retenant à nouveau le ressort hélicoïdal. Assurez-vous que la brosse est bien placée et libre de bouger, relâchez le ressort ; il devrait maintenant rentrer dans la rainure de la brosse. Rebranchez le connecteur à cosse sur le terminal, remettez le couvercle en place et fixez-le.

CONSEILS D'UTILISATION POUR VOTRE MEULEUSE D'ANGLE

1. Votre meuleuse d'angle est utile à la fois pour couper des métaux, c'est-à-dire pour enlever les têtes de vis, et aussi pour nettoyer / préparer les surfaces, c'est-à-dire avant et après les opérations de soudage.
2. Différents types de meules / couteaux permettront au broyeur de répondre à différents besoins. En règle générale, les meules / couteaux sont disponibles pour l'acier doux, l'acier inoxydable, la pierre et la brique. Des disques imprégnés de diamant sont disponibles pour les matériaux très durs.
3. Si la meuleuse est utilisée sur des métaux tendres comme l'aluminium, la meule va bientôt se boucher et devra être changée.

4. À tout moment, laissez la meuleuse faire le travail, ne la forcez pas et n'appliquez pas de pression excessive sur la meule / le disque.
5. En cas de découpe d'une fente, assurez-vous que le couteau reste aligné avec la fente, la rotation de celui-ci peut entraîner l'éclatement du disque. Si la coupe se fait sur le matériau uniquement sous forme de plaque mince, une pénétration excessive peut augmenter les risques de dommages.
6. Si vous coupez de la pierre ou de la brique, il est conseillé d'utiliser un aspirateur.

EN CAS DE PROBLÈME

Bien que votre meuleuse d'angle soit très simple à utiliser, il est possible de rencontrer certains problèmes:

1. Si votre meuleuse ne démarre pas, vérifiez la présence d'alimentation au niveau de la prise.
2. Si la meule commence à trembler ou à vibrer, arrêtez l'outil et vérifiez que la bride externe est bien serrée, et que la meule est bien positionnée sur le plateau de la bride.
3. Si vous remarquez tout signe d'usure ou de dommage, arrêtez immédiatement d'utiliser l'accessoire car celui-ci pourrait se désintégrer. Retirez et remplacez l'accessoire. Recycler les meules correctement.
4. Si vous travaillez sur de l'aluminium ou des alliages similaires, la meule peut s'encrasser rapidement et ne pas meuler efficacement.
5. Si un défaut ne peut pas être corrigé, renvoyez l'outil à un revendeur agréé ou à son agent de service pour réparation.

ENTRETIEN

Retirez la prise de la prise murale avant d'effectuer n'importe quel travail de réglage, de réparation ou d'entretien.

Votre outil électrique ne nécessite aucune lubrification ou entretien additionnels. L'outil ne comporte aucune pièce susceptible d'être remplacée par l'utilisateur lui-même. N'utilisez jamais d'eau ou de produits chimiques pour nettoyer votre outil électrique. Nettoyez à l'aide d'un chiffon sec. Rangez toujours votre outil électrique dans un endroit sec. Veillez à ce que les événements moteur soient propres en permanence. Maintenez tous les dispositifs de contrôle exempts de poussières. Il est possible que l'outil produise occasionnellement des étincelles pouvant être vues à travers les événements moteur. Ceci est tout à fait normal et n'endommagera pas l'outil.


Si le cordon électrique est endommagé, il doit être remplacé par le fabricant, son réparateur agréé ou une personne aux qualifications similaires afin d'éviter tout risque.

LISTA DE COMPONENTES

1. MANGO AUXILIAR
2. BOTÓN DE BLOQUEO DEL HUSILLO
3. MANGO TRASERO
4. INTERRUPTOR ENCENDIDO / APAGADO
5. BOTÓN DE BLOQUEO
6. PROTECCIÓN DE LA RUEDA DE MOLER
7. LLAVE
8. BRIDA INTERIOR
9. BRIDA EXTERIOR
10. PROTECCIÓN DE LA RUEDA DE CORTE
11. PALANCA DE SUJECIÓN DEL PROTECTOR
12. TORNILLO DE AJUSTE DE LA ABRAZADERA
13. CUBIERTA DEL CEPILLO


* No todos los accesorios ilustrados o descritos se incluyen junto con el producto estándar.

SEGURIDAD DEL PRODUCTO


 **ADVERTENCIA:** El polvo originado por la utilización de herramientas motorizadas contiene químicos que, según el Estado de California, causan cáncer, defectos congénitos y otros daños reproductivos. Algunos ejemplos de esos productos químicos son:

- El plomo de las pinturas a base de plomo;
- La sílice cristalina de los ladrillos, del cemento y de otros productos de albañilería;
- El arsénico y el cromo de la madera tratada químicamente.

El riesgo que se corre a causa del contacto con esos productos varía según la frecuencia con que usted realice este tipo de trabajos. Con el fin de reducir su exposición a esas sustancias químicas: trabaje en un área bien ventilada; utilice un equipo de seguridad adecuado, tal como una máscara contra el polvo especialmente diseñada para filtrar partículas microscópicas.

 **ADVERTENCIA:** Este producto puede exponerlo a sustancias químicas, como plomo y di (2-etilhexilo) ftalato (DEHP), que el estado de California reconoce como causantes de cáncer y defectos de nacimiento u otros daños reproductivos. Para más información visite www.P65Warnings.ca.gov.

ADVERTENCIAS DE SEGURIDAD GENERALES PARA LA HERRAMIENTA MOTORIZADA

 **ADVERTENCIA!** Lea y comprenda todas las instrucciones. El no seguir todas las instrucciones a continuación puede ocasionar descargas eléctricas, incendios y/o heridas graves.

Conserve todas las advertencias e instrucciones para consulta futura.

El término “herramienta eléctrica” que figura en todas las advertencias que aparecen a continuación hace referencia a la herramienta que funciona con la red de suministro eléctrico (con cable) o a la herramienta eléctrica accionada a baterías (sin cable).

1. ÁREA DE TRABAJO

- Mantenga su lugar de trabajo limpio y bien iluminado.** Bancos de trabajo desordenados y lugares oscuros invitan a los accidentes.
- No utilice herramientas eléctricas en atmósferas explosivas, como por ejemplo en presencia de líquidos, inflamables, gases o polvo.** Las herramientas eléctricas crean chispas que pueden encender el polvo o los vapores.
- Mantenga a los espectadores, niños y visitantes a una distancia prudente cuando esté utilizando una herramienta eléctrica.** Las distracciones pueden hacerle perder el control.

2. SEGURIDAD ELÉCTRICA

- a) **Los enchufes de las herramientas eléctricas deben coincidir con el tomacorriente. No modifique de algún modo el enchufe. No utilice enchufes adaptadores con herramientas eléctricas conectadas a tierra.** *Si no se modifican los enchufes y se utilizan los tomacorrientes adecuados, se reducirá el riesgo de una descarga eléctrica.*
- b) **Evite el contacto del cuerpo con las superficies conectadas a tierra tales como tuberías, radiadores, estufas de cocina y refrigeradores.** *Existe mayor riesgo de que se produzcan descargas eléctricas si su cuerpo está conectado a tierra.*
- c) **No exponga las herramientas eléctricas a la lluvia ni a los ambientes húmedos.** *La entrada de agua en una herramienta eléctrica aumenta el riesgo de que se produzcan descargas eléctricas.*
- d) **No abuse del cable. Nunca use el cable para transportar las herramientas ni para sacar el enchufe de un tomacorriente.** *Mantenga el cable alejado del calor, el aceite, los bordes afilados o las piezas móviles. Los cables dañados aumentan el riesgo de que se produzcan descargas eléctricas.*
- e) **Cuando opere una herramienta eléctrica en exteriores, use un cable de extensión adecuado para uso en exteriores.** *El uso de un cable adecuado para uso en exteriores reduce el riesgo de descargas eléctricas.*
- f) **Si operar una herramienta eléctrica en un lugar húmedo es inevitable, use un elemento protegido del dispositivo de corriente residual (RCD).** *El uso de un RCD reduce el riesgo de descargas eléctricas.*

3. SEGURIDAD PERSONAL

- a) **Manténgase alerta, fíjese en lo que está haciendo y use el sentido común cuando utilice una herramienta eléctrica. No use la herramienta cuando esté cansado o se encuentre bajo la influencia de drogas, alcohol o medicamentos.** *Un momento de distracción al utilizar herramientas eléctricas puede dar lugar a lesiones personales graves.*
- b) **Utilice equipo de seguridad. Use siempre protección ocular.** *La utilización del equipo de seguridad como máscara antipolvo, zapatos de seguridad antideslizantes, casco o protección auditiva para condiciones adecuadas reducirá el riesgo de lesiones personales.*
- c) **Evite el arranque accidental. Asegúrese de que el interruptor esté en la posición de trabado o de**

apagado antes de instalar el paquete de baterías.

Transportar herramientas con el dedo en el interruptor o instalar el paquete de batería cuando el interruptor está encendido invitan a los accidentes.

- d) **Retire las llaves o claves de ajuste antes de encender la herramienta.** *Una llave o clave de ajuste dejada en una parte giratoria de la herramienta puede causar una lesión personal.*
- e) **No intente alcanzar demasiado lejos. Mantenga un apoyo de los pies y un equilibrio adecuados en todo momento.** *El apoyo de los pies y el equilibrio adecuados permiten un mejor control de la herramienta en situaciones inesperadas.*
- f) **Vístase apropiadamente. No se ponga ropa holgada ni joyas.** *Mantenga su cabello, ropa y guantes alejados de las piezas móviles. La ropa holgada, las joyas o el pelo largo pueden quedar atrapados en las piezas móviles.*
- g) **Si se proporcionan dispositivos para la extracción y recolección de polvo, asegúrese que estos estén conectados y utilizados correctamente.** *El uso de estos dispositivos puede reducir peligros relacionados con el polvo.*

4. USO Y CUIDADO DE LA HERRAMIENTA

- a) **No fuerce la herramienta. Emplee la herramienta correcta para la aplicación que desea.** *La herramienta correcta hará el trabajo mejor y con más seguridad a la capacidad nominal para la que está diseñada.*
- b) **No utilice la herramienta si el interruptor no la enciende o apaga.** *Toda herramienta que no se pueda controlar con el interruptor es peligrosa y debe ser reparada.*
- c) **Desconecte la batería de la herramienta o ponga el interruptor en la posición de trabado o de apagado antes de hacer cualquier ajuste, cambio de accesorios o guardar la herramienta.** *Estas medidas de seguridad preventivas reducen el riesgo de encender la herramienta accidentalmente.*
- d) **Guarde las herramientas que no esté usando fuera del alcance de los niños y otras personas no capacitadas.** *Las herramientas son peligrosas en las manos de los usuarios no capacitados.*
- e) **Mantenga las herramientas con cuidado.** **Compruebe la desalineación o el atasco de las piezas móviles, la ruptura de piezas y cualquier otra situación que pueda afectar el funcionamiento de las herramientas.** *Si la herramienta está dañada, hágala arreglar antes de usarla. Muchos accidentes son causados por herramientas*

mantenidas deficientemente.

- f) **Conserve las herramientas de corte afiladas y limpias.** *Las herramientas mantenidas adecuadamente, con bordes de corte afilados, tienen menos probabilidades de atascarse y son más fáciles de controlar.*
- g) **Utilice la herramienta eléctrica, accesorios, brocas de la herramienta, etc. de acuerdo con estas instrucciones y de la manera adecuada para el tipo de herramienta eléctrica, teniendo en cuenta las condiciones de trabajo y el trabajo que se realizará.** *La utilización de la herramienta eléctrica para operaciones diferentes de aquellas para las que se encuentra diseñada podría dar lugar a una situación peligrosa.*

5. REPARACIÓN

- a) **La herramienta debe ser reparada por una persona calificada de servicio técnico y se deben utilizar partes de reemplazo idénticas.** *Esto asegurará el mantenimiento de la seguridad de la herramienta eléctrica.*

ES

INSTRUCCIONES DE SEGURIDAD PARA TODAS LAS OPERACIONES

Advertencias de seguridad frecuentes para las operaciones de corte abrasivo o esmerilado:

- a) **La herramienta eléctrica se utiliza para esmerilado o corte.** *Lea todas las advertencias de seguridad, instrucciones, imágenes y especificaciones que se proporcionan con esta herramienta eléctrica. No cumplir con las advertencias indicadas a continuación puede generar descargas eléctricas, incendios o lesiones graves.*
- b) **Esta herramienta eléctrica no se recomienda para operaciones como el esmerilado, el cepillado metálico o el pulido.** *Las operaciones para las que no se diseñó la herramienta eléctrica pueden crear un peligro y causar lesiones personales.*
- c) **No utilice accesorios que no estén específicamente diseñados para la herramienta o que no estén recomendados por el fabricante de la herramienta.** *El simple hecho de que el accesorio pueda colocarse en la herramienta eléctrica no garantiza un funcionamiento seguro.*
- d) **La velocidad nominal del accesorio debe ser, al menos, equivalente a la máxima velocidad marcada en la herramienta eléctrica.** *Los accesorios que funcionan a una velocidad superior a la NOMINAL pueden romperse y salir despedidos.*
- e) **El diámetro externo y el grosor del accesorio deben encontrarse dentro de la capacidad nominal de su herramienta eléctrica.** *Los accesorios de un tamaño incorrecto no pueden controlarse ni protegerse de forma adecuada.*
- f) **El montaje roscado de los accesorios debe coincidir con la rosca del husillo de la AMOLADORA.** *Para los accesorios que se montan con BRIDAS, el orificio del eje del accesorio debe coincidir con el diámetro de ubicación de la BRIDA.* *Los accesorios que no coincidan con el equipo de montaje de la herramienta eléctrica perderán el equilibrio, vibrarán en exceso y pueden producir pérdida de control.*
- g) **No utilice accesorios dañados.** *Antes de cada uso, inspeccione los accesorios, como los discos abrasivos para detectar grietas y virutas, las almohadillas de respaldo para detectar grietas, roturas o desgaste en exceso, y los cepillos de alambre para detectar cables sueltos o dañados. Si se cae la herramienta eléctrica o el accesorio, inspeccione para detectar daños o coloque un accesorio sin daños. Después de inspeccionar e instalar el accesorio, posícionese lejos del plano del accesorio giratorio y procure que los transeúntes también se mantengan alejados; ponga en funcionamiento la herramienta eléctrica sin carga a máxima velocidad durante un minuto. Los accesorios dañados normalmente se rompen durante este tiempo de prueba.*
- h) **Utilice el equipo de protección personal.** *De acuerdo con la aplicación, utilice un protector facial o gafas de seguridad o de protección. Según corresponda, utilice una mascarilla para polvo, protectores auditivos, guantes y un delantal capaz de detener pequeños fragmentos abrasivos o de la pieza de trabajo. La protección de los ojos debe poder detener las partículas en el aire derivadas de las diversas operaciones. La mascarilla para polvo o el respirador deben poder filtrar las partículas generadas por su operación. La exposición prolongada a un ruido de alta intensidad puede producir la pérdida auditiva.*
- i) **Mantenga a los transeúntes a una distancia segura del área de trabajo.** *Cualquier persona que ingrese al área de trabajo debe colocarse el equipo de protección personal. Los fragmentos de la pieza de trabajo o de un accesorio roto pueden salir despedidos y causar lesiones más allá del área de funcionamiento inmediata.*
- j) **Tome la herramienta eléctrica únicamente por la superficie de agarre aislada al realizar una operación cuando el accesorio de corte pueda hacer contacto con un cableado oculto.** *Los*

accesorios de corte que hagan contacto con un cable con corriente pueden electrificar las piezas metálicas expuestas de la herramienta eléctrica y generar una descarga eléctrica en el operario.

- k) **Nunca apoye la herramienta eléctrica hasta que el accesorio se detenga por completo.** El accesorio que gira puede tocar la superficie y descontrolar la herramienta eléctrica.
- l) **No utilice la herramienta eléctrica mientras la transporta a un costado.** El contacto accidental con el accesorio que gira puede enganchar su ropa y arrastrar el accesorio hacia su cuerpo.
- m) **Limpie regularmente las ventilaciones de la herramienta eléctrica.** El ventilador del motor puede atraer polvo, que se alojará en la carcasa, y la acumulación en exceso de metal en polvo puede producir peligros eléctricos.
- n) **No utilice la herramienta eléctrica cerca de materiales inflamables.** Las chispas pueden encender estos materiales.
- o) **No utilice accesorios que requieran refrigerantes líquidos.** El uso de agua u otros refrigerantes líquidos puede producir electrocución o descargas eléctricas.
- p) **No utilice accesorios que requieran refrigerantes líquidos.** El uso de agua u otros refrigerantes líquidos puede producir electrocución o descargas eléctricas.

INSTRUCCIONES DE SEGURIDAD ADICIONALES PARA TODAS LAS OPERACIONES

Retroceso y advertencias relacionadas

Un retroceso es una reacción repentina a un cepillo, una almohadilla de respaldo, un disco que gira enganchado o pinzado o cualquier otro accesorio. El pinzado o enganche causa el estancamiento rápido del accesorio giratorio, lo que a su vez hace que la herramienta eléctrica descontrolada se dispare en sentido opuesto al giro del accesorio en el punto de atasco.

Por ejemplo, si un disco abrasivo se engancha o pinza en la pieza de trabajo, el borde del disco que ingresa al punto de pinzado puede cavar la superficie del material y hacer que el disco se salga o desenganche. El disco puede saltar hacia el operario o el lado opuesto, algo que dependerá de la dirección de movimiento del disco en el punto de pinzado. Además, los discos abrasivos pueden romperse en estas condiciones.

El retroceso es la consecuencia del mal uso de la herramienta eléctrica o de condiciones o procedimientos operativos incorrectos y puede evitarse

si se toman las precauciones adecuadas que se indican a continuación.

- a) **Mantenga un agarre firme de la herramienta eléctrica y posicione su cuerpo y brazos de forma tal que le permita resistir las fuerzas de retroceso.** Utilice siempre el mango auxiliar, si se proporciona, para tener el máximo control sobre la reacción de torque o retroceso durante el arranque. Si se toman las precauciones adecuadas, el operario puede controlar las fuerzas de retroceso o las reacciones de torque.
- b) **Nunca coloque la mano cerca del accesorio giratorio.** El accesorio puede retroceder sobre su mano.
- c) **No posicione el cuerpo en el área hacia donde se moverá la herramienta eléctrica si se produce un retroceso.** El retroceso impulsará la herramienta hacia el sentido opuesto del movimiento del disco en el punto de enganche.
- d) **Tenga especial cuidado al trabajar en esquinas, bordes afilados, etc.** Evite rebotar y enganchar el accesorio. Las esquinas, los bordes afilados o los rebotes tienden a enganchar el accesorio giratorio y producir pérdida de control o retrocesos.
- e) **No coloque una cadena de sierra, una hoja para tallar madera ni una hoja de sierra dentada.** Dichas hojas, con frecuencia, pierden el control y producen retrocesos.

ES

INSTRUCCIONES DE SEGURIDAD ADICIONALES PARA LAS OPERACIONES DE CORTE Y ESMERILADO

Advertencias de seguridad específicas para las operaciones de corte abrasivo y esmerilado:

- a) **Utilice únicamente los tipos de discos recomendados para su herramienta eléctrica y la protección específica diseñada para el disco seleccionado.** Los discos para los que no se diseñó la herramienta no pueden protegerse de forma adecuada y son inseguros.
- b) **La superficie de esmerilado de los discos de centro hundido debe montarse debajo del plano del borde de la protección.** Un disco mal montado que se proyecta a través del plano del borde de la protección no puede protegerse adecuadamente.
- c) **La protección debe colocarse con firmeza en la herramienta eléctrica y debe posicionarse para brindar máxima seguridad, de modo que la menor cantidad de disco quede expuesto hacia el lado del operario.** La protección ayuda a proteger

al operario de fragmentos de discos rotos, el contacto accidental con los discos y chispas que puedan incendiar la vestimenta.

- d) **Los discos deben utilizarse únicamente para las aplicaciones recomendadas. Por ejemplo: no esmerile con el lado del disco de corte.** *Los discos de corte abrasivos deben utilizarse para el esmerilado periférico; las fuerzas laterales que se apliquen a estos discos pueden triturarlos.*
- e) **Utilice siempre bridas de disco sin daños con el diámetro y el tamaño correcto para su disco seleccionado. Las bridas de disco adecuadas respaldan el disco y, en consecuencia, reducen la posibilidad de que se rompa el disco. Las bridas de los discos de corte pueden ser distintas de las bridas de los discos de esmerilado.**
- f) **No utilice discos desgastados de herramientas eléctricas más grandes.** *Los discos de herramientas eléctricas más grandes no son adecuados para las mayores velocidades que ofrecen las herramientas más pequeñas y pueden romperse.*

puede atascarse, salir despedido o retroceder si la herramienta eléctrica se reinicia en la pieza de trabajo.

- e) **Apoye los paneles o cualquier pieza de trabajo grande para minimizar el riesgo de que el disco se pince y retroceda. Las piezas de trabajo grandes tienden a ondularse por su propio peso. Los soportes deben colocarse debajo de la pieza de trabajo, cerca de la línea de corte y del borde de la pieza de trabajo a ambos lados del disco.**
- f) **Tenga cuidado al realizar un “corte empotrado” en paredes existentes u otros puntos ciegos. El disco que sobresale puede cortar las tuberías de agua o gas, el cableado eléctrico u objetos que puedan producir un retroceso.**

SÍMBOLOS



Para reducir el riesgo de lesiones, el usuario deberá leer el manual de instrucciones



Advertencia



Use protección auditiva



Use lentes de seguridad



Use máscara contra el polvo



Doble aislamiento

INSTRUCCIONES DE SEGURIDAD ADICIONALES PARA LAS OPERACIONES DE CORTE

Advertencias de seguridad adicionales y específicas para las operaciones de corte abrasivo:

- a) **No “atasque” el disco de corte ni aplique presión en exceso. No intente realizar un corte con una profundidad excesiva.** *Presionar en exceso el disco aumenta la carga y la susceptibilidad de que el disco se doble o tuerza en el corte, así como también la posibilidad de que el disco se rompa o produzca un retroceso.*
- b) **No posicione el cuerpo en línea con el disco giratorio ni detrás de este.** *Cuando el disco, en el punto de funcionamiento, se aleja de su cuerpo, el posible retroceso puede impulsar el disco giratorio y la herramienta eléctrica directamente hacia usted.*
- c) **Cuando el disco está atascado o interrumpe un corte por cualquier motivo, apague la herramienta eléctrica y manténgala sin mover hasta que el disco se detenga por completo. Nunca intente retirar el disco de corte del corte mientras esté en movimiento, ya que puede producirse un retroceso. Investigue y corrija el problema para eliminar la causa de que se atasque el disco.**
- d) **No reinicie la operación de corte en la pieza de trabajo. Deje que el disco alcance la máxima velocidad y vuelva al corte con cuidado. El disco**

DATOS TÉCNICOS

Tipo DX361U (361-denominaciones de maquinaria, representantes de Amoladora Angular)

Voltaje	120V~60Hz
Potencia nominal	13A
Velocidad sin carga	10,000 /min
Tamaño del disco	5 in. (125 mm)
Orificio del disco	7/8 in. (22.2 mm)
Rosca del eje	5/8 in.-11
Diámetro de los discos de desbaste	5 in. (125 mm)
Espesor máximo de los discos de desbaste	1/4 in. (6 mm)
Clase de protección	□/II
Peso de la máquina	5.71 lbs (2.59 kg)

ACCESORIOS

Mango auxiliar	1
Llave	1
Protector de la rueda de corte	1
Protección de disco para esmerilado	1

Le recomendamos que compre todos los accesorios en la tienda donde adquirió la herramienta. Consulte el empaque de los accesorios para obtener más detalles. El personal de la tienda también puede ayudarle y aconsejarle.

ES

Esta herramienta puede causar el síndrome de vibración del brazo si no se usa adecuadamente.

INSTRUCCIONES DE USO



NOTA: Antes de usar la herramienta, lea atentamente el manual de instrucciones.

USO PREVISTO

Esta máquina ha sido diseñada para cortar, labrar y cepillar materiales metálicos y de piedra sin utilizar agua. Para cortar metal, se debe usar una protección especial para corte (accesorio).

1. AJUSTE DE LA MANIJA AUXILIAR (VER FIG. A)

Tiene la opción de tres posiciones de trabajo para proporcionar un control más seguro y cómodo de su amoladora angular.

Mango auxiliar de amortiguación de vibraciones

El mango auxiliar que amortigua las vibraciones reduce las vibraciones, haciendo que la operación sea más cómoda y segura. Su herramienta está equipada con un mango auxiliar que se puede usar para almacenar la llave.

2. ÁREAS DEL MANGO

Siempre sostenga su amoladora angular firmemente con ambas manos cuando opere.

3. AJUSTE DEL PROTECTOR DE RUEDAS (VER FIG. B)

Para trabajar con discos abrasivos o de corte, se debe montar el protector de la rueda.

Protector de ruedas para rectificadores

La brida interior y exterior deben retirarse antes de instalar el protector de la rueda.

La proyección codificada en el protector de la rueda garantiza que solo se pueda montar un protector que se ajuste al tipo de máquina. Abra la palanca de sujeción. Coloque el protector de la rueda con proyección codificada en la ranura del eje del cabezal de la máquina y gire a la posición requerida (posición de trabajo).

Para fijar el protector de la rueda, cierre la palanca de sujeción.

El lado cerrado del protector de la rueda siempre debe apuntar hacia el operador.

NOTA: Con la palanca de sujeción abierta, el tornillo de ajuste de la abrazadera se puede ajustar para asegurar que el protector esté bien sujeto después de que la palanca de sujeción se haya cerrado finalmente.

Protector de la rueda de corte



ADVERTENCIA: Para cortar metal, trabaje siempre con el protector de la rueda para cortar.

El protector de la rueda para cortar está montado de la misma manera que el protector de la rueda para rectificar.

4. BOTÓN DE BLOQUEO DEL HUSILLO

Solo debe usarse al cambiar un disco. ¡Nunca presione cuando el disco esté girando!

5. MONTAJE DE LOS DISCOS (NO SUMINISTRADOS) (VER FIG. C)

Coloque la brida interior en el eje de la herramienta. Coloque el disco en el eje de la herramienta y la brida interior. Asegúrese de que esté ubicado correctamente. (Ver Fig. C1)

Coloque la brida exterior roscada asegurándose de que esté orientada en la dirección correcta para el tipo de disco instalado. Para discos abrasivos (no suministrados), la brida está equipada con la parte elevada orientada hacia el disco.

Para cortar discos (no suministrados), la brida está equipada con la parte elevada alejada del disco. (Ver Fig. C2)

Presione el botón de bloqueo del husillo y gire el husillo manualmente hasta que quede bloqueado. Manteniendo presionado el botón de bloqueo, apriete la brida exterior con la llave provista. (Ver Fig. C3)

6. INTERRUPTOR DE ENCENDIDO / APAGADO DE SEGURIDAD (VER FIG. D)

El interruptor de encendido / apagado está bloqueado para evitar un arranque accidental. Presione el botón de bloqueo, luego el interruptor de encendido / apagado y suelte el botón de bloqueo. Su interruptor está ahora encendido. Para apagar la herramienta, simplemente presione y suelte el interruptor de encendido/apagado.

7. PARA UTILIZAR LA RECTIFICADORA (VER FIG. E)



ATENCIÓN: No encienda la amoladora mientras el disco está en contacto con la pieza de trabajo.

Permita que el disco alcance la velocidad máxima antes de comenzar a moler.

Sostenga su amoladora angular con una mano en el mango principal y la otra mano firmemente alrededor del mango auxiliar.

Siempre coloque el protector de manera que la mayor parte del disco expuesto esté apuntando lejos de usted.

Prepárese para una corriente de chispas cuando el disco toque el metal.

Para un mejor control de la herramienta, eliminación de material y mínima sobrecarga, mantenga un ángulo entre el disco y la superficie de trabajo de aproximadamente 15-30 durante el rectificado. Tenga cuidado al trabajar con las esquinas, ya que el contacto con la superficie de intersección puede hacer que la

amoladora salte o gire.

Cuando la molienda esté completa, deje que la pieza de trabajo se enfríe. No toque la superficie caliente.

8. CORTANDO (VER FIG. F)



ADVERTENCIA: Para cortar metal, trabaje siempre con el protector de la rueda para cortar.

Al cortar, no presione, incline ni oscile la máquina.

Trabaje con un avance moderado, adaptado al material a cortar.

No reduzca la velocidad de funcionamiento por los discos de corte aplicando presión lateral.

La dirección en la que se realiza el corte es importante.

La máquina siempre debe funcionar en un movimiento de rectificado ascendente. ¡Por lo tanto, nunca mueva la máquina en la otra dirección! De lo contrario, existe el peligro de que sea empujado fuera del corte sin control.

9. PARA UTILIZAR LA RECTIFICADORA (VER FIG. G)

Antes de realizar cualquier trabajo en la máquina, desenchufe el cable de alimentación.

Retire el tornillo que asegura la cubierta del cepillo del motor. Retire la cubierta, levante suavemente y libere el conector de la pala. Sostenga el resorte helicoidal y deslice el cepillo desgastado fuera de la carcasa, luego suelte cuidadosamente el resorte. Ubique el cepillo de repuesto (en la misma orientación) mientras retiene el resorte helicoidal. Asegúrese de que el cepillo esté ubicado y libre para moverse, suelte el resorte; ahora debería quedar dentro de la ranura del cepillo. Vuelva a colocar el conector de pala en el terminal, vuelva a colocar la cubierta y asegúrelo.

CONSEJOS DE TRABAJO PARA SU AMOLADORA ANGULAR

1. Su amoladora angular es útil tanto como para cortar metales, es decir, para quitar cabezas de tornillo, como también para limpiar / preparar superficies, es decir, antes y después de las operaciones de soldadura.
2. Los diferentes tipos de rueda / cortador permitirán que la amoladora satisfaga diversas necesidades. Por lo general, las ruedas / cortadoras están disponibles para acero suave, inoxidable, piedras y ladrillos. Los discos impregnados de diamante están disponibles para materiales muy duros.
3. Si la amoladora se usa en metales blandos como el aluminio, la rueda pronto se obstruirá y deberá cambiarse.
4. En todo momento, deje que el molinillo haga el trabajo, no lo fuerce ni aplique una presión excesiva

a la rueda / disco.

5. Si cortar una ranura asegura que el cortador se mantenga alineado con la ranura, torcer el cortador puede hacer que el disco se rompa. Si al cortar una lámina delgada a través del material que se lo permite, una penetración excesiva puede aumentar la posibilidad de causar daños.
6. Si está cortando piedras o ladrillos, es recomendable usar un extractor de polvo.

RESOLUCIÓN DE PROBLEMAS

Aunque es fácil operar su nueva amoladora angular, si tiene problemas, verifique lo siguiente:

1. Si la amoladora no funciona, verifique la alimentación eléctrica del enchufe principal.
2. Si el disco de esmerilado oscila o vibra, verifique la brida externa para ver si está ajustada y verifique el disco para ver si está correctamente ubicado en la placa de la brida.
3. Si hay evidencia de que el disco está dañado, no lo utilice, ya que puede desintegrarse; retire y reemplace el disco por uno nuevo. Deseche los discos usados de forma razonable.
4. Si trabaja con aluminio o una aleación blanda similar, el disco se obstruirá rápido y no realizará un esmerilado eficaz.
5. Si no se puede corregir una avería, devuelva la herramienta a un distribuidor autorizado para su reparación.

MANTENIMIENTO

Desconecte el enchufe de la toma de corriente antes de realizar ajustes, reparaciones o mantenimiento.

Su herramienta eléctrica no requiere mantenimiento ni lubricación adicional. No hay piezas que requieran mantenimiento en la herramienta eléctrica. Nunca utilice limpiadores químicos ni agua para limpiar la herramienta eléctrica. Limpie con un paño seco. Almacene la herramienta eléctrica siempre en un lugar seco. Mantenga limpias las ranuras de ventilación del motor. Mantenga todos los controles de trabajo sin polvo. Ocasionalmente, puede ver chispas en las ranuras de ventilación. Esto es normal y no dañará su herramienta eléctrica.

Si el cable de alimentación está dañado, el fabricante, su agente de servicio o alguna persona con una calificación similar deberá reemplazarlo para evitar cualquier peligro.

CAT[®]



www.catpowertools.com



©2021 Caterpillar. CAT, CATERPILLAR, their respective logos, "Caterpillar Yellow," the "Power Edge" trade dress as well as corporate and product identity used herein, are trademarks of Caterpillar and may not be used without permission. Positec Group Limited, a licensee of Caterpillar Inc