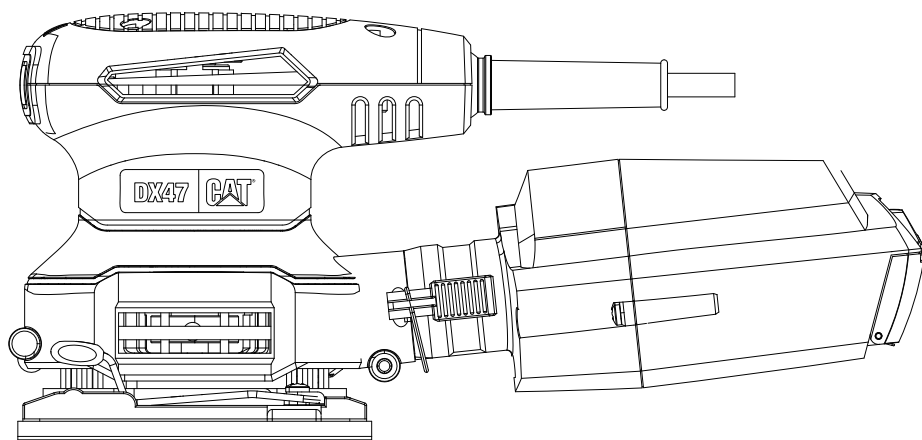


CAT[®]



2.4A

DX47U



1/4 SHEET SANDER

EN

P05

FEUILLE DE PONÇAGE 1/4

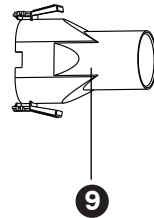
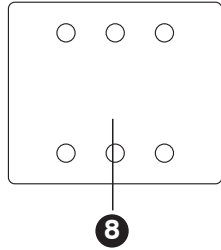
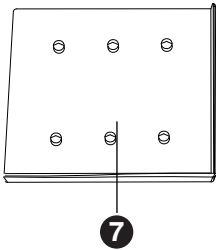
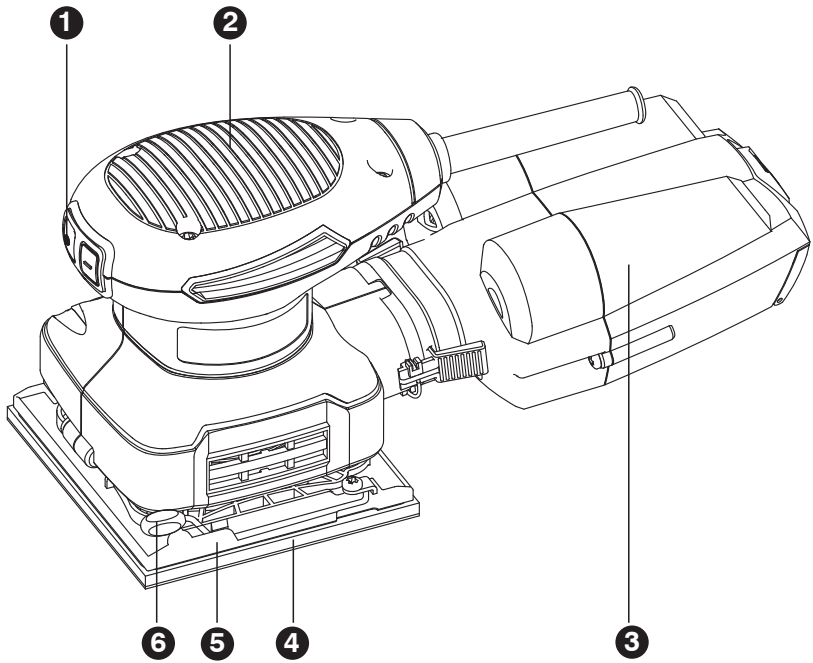
FR

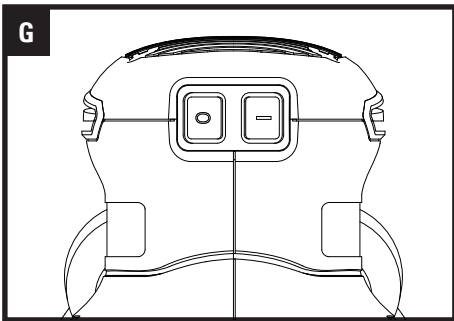
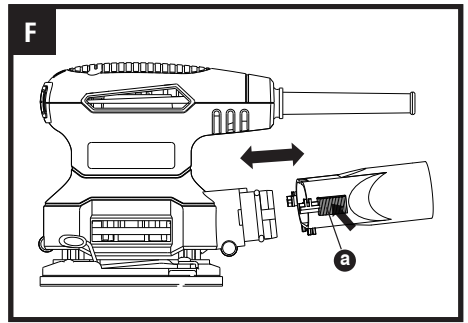
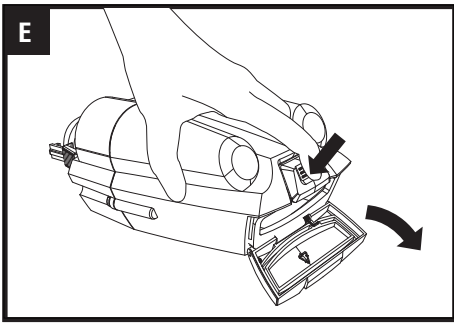
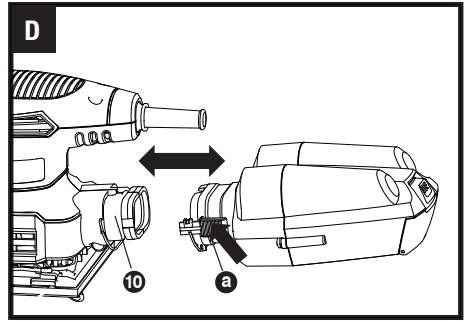
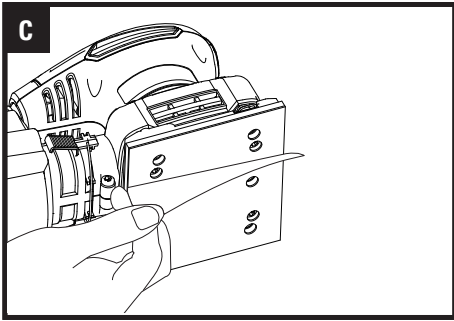
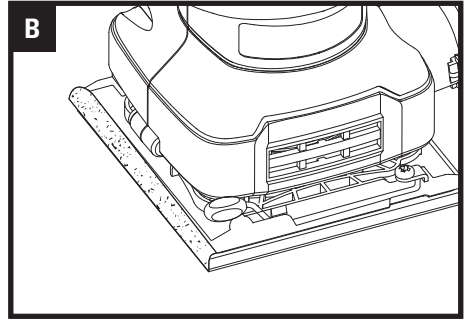
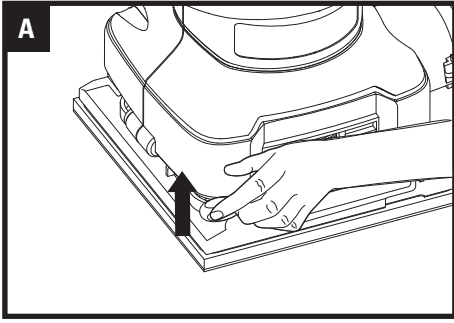
P10

LIJADORA DE 1/4 DE HOJA

ES

P15






COMPONENT LIST

1. ON/OFF SWITCH
2. HAND GRIP AREA
3. DUST BOX
4. BASE PLATE
5. CLAMP LEVER LOCK
6. SANDING PAPER CLAMP LEVER
7. PAPER HOLE PUNCH
8. SANDING PAPER
9. VACUUM ADAPTER
10. DUST EXTRACTION OUTLET (SEE FIG. D)


Not all the accessories illustrated or described are included in standard delivery.

PRODUCT SAFETY

 **WARNING:** Some dust created by power sanding, sawing, grinding, drilling and other construction activities contains chemicals known to the State of California to cause cancer, birth defects or other reproductive harm. Some examples of these chemicals are:

- Lead from lead-based paints;
- Crystalline silica from bricks and cement and other masonry products;
- Arsenic and chromium from chemically-treated lumber.

Your risk from these exposures varies, depending on how often you do this type of work. To reduce your exposure to these chemicals: work in a well ventilated area, and work with approved safety equipment, such as those dust masks that are specially designed to filter out microscopic particles.

 **WARNING:** This product can expose you to chemicals including lead and Di(2-ethylhexyl) phthalate (DEHP) which are known to the State of California to cause cancer and birth defects or other reproductive harm. For more information go to www.P65Warnings.ca.gov.

GENERAL POWER TOOL SAFETY WARNINGS

 **WARNING** Read all safety warnings, instructions, illustrations and specifications provided with this power tool. Failure to follow all

instructions listed below may result in electric shock, fire and/or serious injury.

Save all warnings and instructions for future reference.

The term "power tool" in the warnings refers to your mains-operated (corded) power tool or battery-operated (cordless) power tool.

1. WORK AREA SAFETY

- Keep work area clean and well lit.** Cluttered or dark areas invite accidents.
- Do not operate power tools in explosive atmospheres, such as in the presence of flammable liquids, gases or dust.** Power tools create sparks which may ignite the dust or fumes.
- Keep children and bystanders away while operating a power tool.** Distractions can cause you to lose control.

2. ELECTRICAL SAFETY

- Power tool plugs must match the outlet. Never modify the plug in any way. Do not use any adapter plugs with earthed (grounded) power tools.** Unmodified plugs and matching outlets will reduce risk of electric shock.
- Avoid body contact with earthed or grounded surfaces, such as pipes, radiators, ranges and refrigerators.** There is an increased risk of electric shock if your body is earthed or grounded.
- Do not expose power tools to rain or wet conditions.** Water entering a power tool will increase the risk of electric shock.
- Do not abuse the cord. Never use the cord for**

carrying, pulling or unplugging the power tool. Keep cord away from heat, oil, sharp edges or moving parts. *Damaged or entangled cords increase the risk of electric shock.*

- e) **When operating a power tool outdoors, use an extension cord suitable for outdoor use.** *Use of a cord suitable for outdoor use reduces the risk of electric shock.*
- f) **If operating a power tool in a damp location is unavoidable, use a residual current device (RCD) protected supply.** *Use of an RCD reduces the risk of electric shock.*

3. PERSONAL SAFETY

- a) **Stay alert, watch what you are doing and use common sense when operating a power tool. Do not use a power tool while you are tired or under the influence of drugs, alcohol or medication.** *A moment of inattention while operating power tools may result in serious personal injury.*
- b) **Use personal protective equipment. Always wear eye protection.** *Protective equipment such as dust mask, non-skid safety shoes, hard hat, or hearing protection used for appropriate conditions will reduce personal injuries.*
- c) **Prevent unintentional starting. Ensure the switch is in the off-position before connecting to power source and/or battery pack, picking up or carrying the tool.** *Carrying power tools with your finger on the switch or energising power tools that have the switch on invites accidents.*
- d) **Remove any adjusting key or wrench before turning the power tool on.** *A wrench or a key left attached to a rotating part of the power tool may result in personal injury.*
- e) **Do not overreach. Keep proper footing and balance at all times.** *This enables better control of the power tool in unexpected situations.*
- f) **Dress properly. Do not wear loose clothing or jewelry. Keep your hair and clothing away from moving parts.** *Loose clothes, jewelry or long hair can be caught in moving parts.*
- g) **If devices are provided for the connection of dust extraction and collection facilities, ensure these are connected and properly used.** *Use of dust collection can reduce dust-related hazards.*
- h) **Do not let familiarity gained from frequent use of tools allow you to become complacent and ignore tool safety principles.** *A careless action can cause severe injury within a fraction of a second.*

4. POWER TOOL USE AND CARE

- a) **Do not force the power tool. Use the correct power tool for your application.** *The correct power tool will do the job better and safer at the rate for which it was designed.*
 - b) **Do not use the power tool if the switch does not turn it on and off.** *Any power tool that cannot be controlled with the switch is dangerous and must be repaired.*
 - c) **Disconnect the plug from the power source and/or remove the battery pack, if detachable, from the power tool before making any adjustments, changing accessories, or storing power tools.** *Such preventive safety measures reduce the risk of starting the power tool accidentally.*
 - d) **Store idle power tools out of the reach of children and do not allow persons unfamiliar with the power tool or these instructions to operate the power tool.** *Power tools are dangerous in the hands of untrained users.*
 - e) **Maintain power tools and accessories. Check for misalignment or binding of moving parts, breakage of parts and any other condition that may affect the power tool's operation. If damaged, have the power tool repaired before use.** *Many accidents are caused by poorly maintained power tools.*
 - f) **Keep cutting tools sharp and clean.** *Properly maintained cutting tools with sharp cutting edges are less likely to bind and are easier to control.*
 - g) **Use the power tool, accessories and tool bits etc. in accordance with these instructions, taking into account the working conditions and the work to be performed.** *Use of the power tool for operations different from those intended could result in a hazardous situation.*
 - h) **Keep handles and grasping surfaces dry, clean and free from oil and grease.** *Slippery handles and grasping surfaces do not allow for safe handling and control of the tool in unexpected situations.*
- ### 5. SERVICE
- a) **Have your power tool serviced by a qualified repair person using only identical replacement parts.** *This will ensure that the safety of the power tool is maintained.*

SYMBOLS



To reduce the risk of injury, user must read instruction manual



Warning



Wear ear protection



Wear eye protection



Wear dust mask



Double insulation

TECHNICAL DATA

EN

Type DX47U(47-designation of machinery, representative of sheet sander)

Voltage	120V~60Hz
Rated power	2.4A
No load speed	15,000 /min
Protection class	□/II
Base size	4-1/16 in. * 4-21/64 in. (103*110 mm)
Orbital diameter	1/16 in. (1.6 mm)
Machine weight	2.82 lbs (1.28 kg)

ACCESSORIES

Cyclone box	1
Vacuum adapter	1
80 grit sanding paper	1
Paper punch	1

We recommend that you purchase your accessories from the same store that sold you the tool. Refer to the accessory packaging for further details. Store personnel can assist you and offer advice.

OPERATING INSTRUCTIONS



NOTE: Before using the tool, read the instruction book carefully.

INTENDED USE

The machine is intended for dry sanding of wood, plastic, filler and coated surfaces.

ASSEMBLY

1. FITTING THE SANDING PAPER (SEE FIG. A, B & C)

- Sanding paper without hook & loop system

Lift up the sanding paper clamp lever and move it away from the clamp lever lock. Repeat with the other clamp lever on the opposite side.

Insert approximately 5mm of one end of the sanding paper under the sanding paper clamp lever. Lift up the sanding paper clamp lever again and move it back to the clamp lever lock position to lock the paper. Depress the sanding paper around the base plate shape as tight as possible and fix the other end of the sanding paper.

Check the sanding paper and always ensure it is tight over the base plate and secured underneath both locked clamps.

- Sanding paper with hoop & loop system

Align and directly depress the sanding paper onto the base plate by hand. Firmly press the sander with the sanding paper against a flat surface to ensure the paper is secured. The holes on the sanding paper and base plate should be aligned well.

2. FITTING AND REMOVING THE DUST BOX (SEE FIG. D)

Your sander is equipped with a dust box. To attach, insert the dust box into the rear dust extraction outlet until it is secure. To remove, press the release lever (a) on both sides of the dust box and slide the dust box out.



CAUTION: To prevent the possibility of sanding dust or foreign body being thrown into your face or eyes, never attempt to use your sander without the dust box properly installed.

3. EMPTY THE DUST BOX (SEE FIG E)

For more efficient operation, empty the dust box every 5-10mins. This will permit the air to flow through the box better.

To empty the dust box, first remove it from the dust extraction outlet, press the button at the rear of the box to open the back of box, then you can shake the dust out.

4. ATTACHING SANDER TO VACUUM (SEE FIG. F)

Your sander is equipped with a vacuum adapter, which is designed for dust collection task. Insert the vacuum adapter into the rear dust extraction outlet of sander and ensure it is tightened securely. Then connect the adapter to the hose of a vacuum cleaner. While using, first turn on the vacuum cleaner, and then turn on the sander. If you stop sanding, first turn off the sander, then turn off your vacuum cleaner.

NOTE: Please always connect the adaptor with 35mm vacuum hose.

OPERATION

1. OPERATING THE ON / OFF SWITCH (SEE FIG. G)

To start your sander, depress the protective cover over the switch at the position marked "I".

To stop your sander, depress the protective cover at the position marked "0".

2. PAPER HOLE PUNCH

If using sanding paper without dust holes, first you should use the paper hole punch to perforate the holes to ensure correct dust extraction. Position the punch over the base plate with the punch sides on the edges of the base plate. Press the punch into the base plate to punch holes into the sanding paper. Then remove the punch and check all the holes have been formed correctly.

3. USING THE SANDER

The workpiece to be sanded must be secured. If it is small or it may move during sanding, it must be held in a vice or suitably clamped.

Be sure to hold the sander firmly whilst it is on and apply it gently to the work, it may "kick" on first contact. Hold the sander so that it is flat on the work and move slowly, preferably with a smooth, circular motion. Regularly check the condition of the sanding paper and replace when worn for best results.

WORKING HINTS FOR YOUR SANDER

1. If your power tool becomes too hot, especially when used at low speed, set the speed to maximum and run it with no load for 2-3 minutes to cool the motor. Avoid prolonged usage at very low speeds. Always use sanding paper that is suitable for the material you want to sand.
2. Always ensure the work-piece is firmly held or clamped to prevent movement.
3. Any movement of the material may affect the quality of the sanding finish.
4. Start your sander before sanding and turn it off only after you stop sanding.
For the best results, sand wood in the direction of the grain.
5. Do not start sanding without having the sanding paper fitted.
6. Do not allow the sanding paper to wear away it will damage the base-plate. The guarantee does not cover base-plate wear and tear.
7. Use coarse grit paper to sand rough surfaces, medium grit for smooth surfaces and fine grit for the final surfaces. If necessary, first make a test run on scrap material.
8. Use only good quality sanding paper.
9. The sanding paper controls the sanding efficiency, not the amount of force you apply to the tool. Excessive force will reduce the sanding efficiency and cause motor overload. Replacing the sanding paper regularly will maintain optimum sanding efficiency.

MAINTENANCE

Remove the plug from the socket before carrying out any adjustment, servicing or maintenance.

Your power tool requires no additional lubrication or maintenance.

There are no user serviceable parts in your power tool. Never use water or chemical cleaners to clean your power tool. Wipe clean with a dry cloth. Always store your power tool in a dry place. Keep the motor ventilation slots clean. Keep all working controls free of dust. Occasionally you may see sparks through the ventilation slots. This is normal and will not damage your power tool.

If the supply cord is damaged, it must be replaced by the manufacturer, its service agent or similarly qualified persons in order to avoid a hazard.

TROUBLESHOOTING


1. If your sander will not operate, check the power at the main plug.
2. If the sander does not abrade surface, check the sanding paper. If the sanding paper has been worn, replace the new paper and try again. The paper must be kept in a dry place, if it is allowed to become damp, the abrasive particles will lose their adhesion to the backing paper and will not abrade.
3. If the sander does not move smoothly, The sanding paper may be loose, damaged or wrinkled. Replace and try again.
4. If a fault cannot be rectified return the sander to an authorized dealer for repair.

LISTE DES COMPOSANTS

1. BOUTON ON / OFF
2. ZONE DE PREHENSION
3. BOÎTE À POUSSIÈRE
4. PLAQUE DE BASE
5. VERROU DU LEVIER DE PINCE
6. LEVIER DE PINCE DE PAPIER DE PONÇAGE
7. PERFORATEUR DE PAPIER
8. PAPIER DE PONÇAGE
9. ADAPTATEUR À VIDE
10. SORTIE D'EXTRACTION DE POUSSIÈRE (VOIR FIG. D)


Les accessoires illustrés ou décrits ne sont pas tous compris dans le cadre de la livraison standard.

SÉCURITÉ DU PRODUIT


 **AVERTISSEMENT:** Certaines des poussières produites en utilisant des outils électriques sont considérées par l'État de Californie comme susceptibles de provoquer le cancer, des anomalies congénitales et d'autres problèmes de reproduction. Voici des exemples de ces produits chimiques:

- Plomb issu de peinture à base de plomb;
- Silice cristalline issue de briques et du ciment et autres produits de maçonnerie;
- Arsenic et chrome issus de bois traité chimiquement.

Votre risque de ces expositions varie en fonction de la fréquence à laquelle vous effectuez ce travail. Pour réduire votre exposition à ces produits chimiques: travaillez dans une zone bien ventilée; portez un équipement de sécurité approuvé, tel que des masques anti poussières spécialement conçus pour éliminer les particules microscopiques par filtrage.

 **AVERTISSEMENT:** Ce dispositif peut vous exposer aux produits chimiques notamment le plomb et le di-phtalate (de 2-éthylhexyle) (DEHP) qui sont reconnus dans l'État de Californie comme causant des cancers et des anomalies congénitales ou d'autres anomalies de la reproduction. Pour en savoir plus, veuillez consulter le site www.P65Warnings.ca.gov.

AVERTISSEMENTS GENERAUX CONCERNANT LA SECURITE DES OUTILS ELECTRIQUES

 **AVERTISSEMENT** Lisez et assimilez toutes les instructions. Le non-respect des instructions ci-après peut entraîner un risque de choc électrique, d'incendie et/ou de blessures graves.

Conservez tous les avertissements et instructions pour pouvoir les consulter ultérieurement.

L'expression « outil électrique » dans tous les avertissements énumérés ci-dessous se réfère à votre outil électrique fonctionnant sur secteur (branché) ou à batterie (sans-fil).

1. AIRE DE TRAVAIL

- a) Veillez à ce que l'aire de travail soit propre et bien éclairée. Le désordre et le manque de lumière favorisent les accidents.
- b) N'utilisez pas d'outils électriques dans un milieu présentant un risque d'explosion, par exemple en présence de liquides, de gaz ou de poussières inflammables. Les outils électriques créent des étincelles qui pourraient enflammer les poussières ou les vapeurs.
- c) Gardez à distance les curieux, les enfants et les visiteurs lorsque vous travaillez avec un outil électrique. Ils pourraient vous distraire et vous faire faire une fausse manœuvre.

2. SÉCURITÉ ÉLECTRIQUE

- a) Les fiches des outils électriques doivent correspondre aux prises murales. Ne jamais modifier la fiche de quelque façon que ce soit.

Ne pas utiliser de fiches d'adaptation avec des outils électriques mis à la terre (mis à la masse). Des fiches non modifiées et des prises qui leur correspondent réduiront le risque de choc électrique.

- b) **Évitez tout contact corporel avec des surfaces mises à la terre (tuyauterie, radiateurs, cuisinières, réfrigérateurs, etc.)** Le risque de choc électrique est plus grand si votre corps est en contact avec la terre.
- c) **N'exposez pas les outils électriques à la pluie ou à l'eau.** La présence d'eau dans un outil électrique augmente le risque de choc électrique.
- d) **Ne maltraitez pas le cordon. Ne transportez jamais l'outil par son cordon et ne débranchez jamais la fiche en tirant sur le cordon. N'exposez pas le cordon à la chaleur, à des huiles, à des arrêtes vives ou à des pièces en mouvement.** Un cordon endommagé augmente le risque de choc électrique.
- e) **Lorsque vous utilisez un outil électrique à l'extérieur, utilisez un prolongateur adapté à une utilisation en extérieur.** L'utilisation d'un cordon adapté à une utilisation extérieure réduit le risque de choc électrique.
- f) **Si vous devez utiliser un outil électrique dans un endroit humide, utilisez un dispositif de courant résiduel (RCD) d'alimentation protégée.** L'utilisation d'un RCD réduit le risque de choc électrique.

3. SÉCURITÉ DES PERSONNES

- a) **Restez alerte, concentrez-vous sur votre travail et faites preuve de bon sens. N'utilisez pas un outil électrique si vous êtes fatigué ou sous l'influence de drogues, d'alcool ou de médicaments.** Un instant d'inattention lors de l'utilisation d'outils électriques peut entraîner des blessures graves.
- b) **Utilisez des accessoires de sécurité. Portez toujours une protection oculaire.** De l'équipement de sécurité tel que le masque antipoussière, les chaussures de sécurité antidérapantes, des casques durs ou des protections antibruit utilisés dans des conditions appropriées réduiront les blessures corporelles.
- c) **Évitez les démarrages accidentels. Avant d'insérer la batterie dans l'outil, assurez-vous que son interrupteur est en position « OFF » (Arrêt) ou verrouillée.** Le fait de transporter un outil avec le doigt sur la détente/l'interrupteur ou d'insérer la batterie dans un outil dont la détente est en position « ON » (Marche) peut causer un accident.
- d) **Retirer les clés de réglage avant de mettre l'outil sous tension.** Une clé restée attachée à une partie mobile de l'outil pourrait entraîner des blessures corporelles.

- e) **Ne vous penchez pas trop en avant. Maintenez un bon appui et restez en équilibre en tout temps.** Une bonne stabilité vous permet de mieux réagir à une situation inattendue.
- f) **Habilitez-vous convenablement. Ne portez ni vêtements flottants ni bijoux. Gardez les cheveux, les vêtements et les gants éloignés des pièces en mouvement.** Les vêtements flottants, les bijoux ou les cheveux longs risquent d'être happés par des pièces en mouvement.
- g) **Si un sac de récupération de la poussière est fourni avec un connecteur pour aspirateur, assurez-vous qu'il est correctement relié et utilisé de façon appropriée.** L'utilisation de ce système réduit les dangers physiques et physiologiques liés à la poussière.
- h) **Ne laissez pas les habitudes acquises par une utilisation fréquente d'outils relâcher votre vigilance et ignorer les principes de sécurité des outils.** Une utilisation négligente peut causer des blessures graves en une fraction de seconde.

4. UTILISATION ET ENTRETIEN DE L'OUTIL

- a) **Ne forcez pas l'outil. Utilisez l'outil approprié à la tâche.** L'outil approprié fonctionne mieux et de façon plus sécuritaire. Respectez aussi la vitesse de travail qui lui est propre.
- b) **N'utilisez pas un outil si l'interrupteur ne le met pas en marche ou ne peut l'arrêter.** Un outil qui ne peut être contrôlé par l'interrupteur est dangereux et doit être réparé.
- c) **Débranchez la batterie de l'outil ou mettez son interrupteur en position « OFF » (Arrêt) ou « LOCKED » (Verrouillé) avant d'effectuer un réglage, de changer d'accessoire ou de ranger l'outil.** De telles mesures de sécurité préventive réduisent le risque de démarrage accidentel de l'outil.
- d) **Rangez les outils hors de portée des enfants et d'autres personnes inexpérimentées.** Les outils sont dangereux dans les mains d'utilisateurs novices.
- e) **Prenez soin de bien entretenir les outils. Soyez attentif à tout désalignement ou coincement des pièces en mouvement, à tout bris ou à toute autre condition préjudiciable au bon fonctionnement de l'outil.** Si vous constatez qu'un outil est endommagé, faites-le réparer avant de vous en servir. De nombreux accidents sont causés par des outils en mauvais état.
- f) **Les outils de coupe doivent être toujours bien affûtés et propres.** Des outils bien entretenus, dont les arêtes sont bien tranchantes, sont moins susceptibles de se coincer et plus faciles à contrôler.
- g) **Utilisez l'outil électrique, les accessoires et les**

forets etc., en conformité avec ces instructions et de la manière conçue pour le type particulier d'outil électrique, prend en compte les conditions de travail et le travail qui doit être accompli. L'emploi de l'outil électrique pour des opérations différentes de celles pour lesquelles il a été conçu pourrait entraîner une situation dangereuse.

- h) Maintenez les poignées et les surfaces de prise sèches, propres et exemptes d'huile et de graisse.**
Des poignées et surfaces de prise glissantes ne permettent pas une manipulation et un contrôle sécurisés de l'outil dans des situations inattendues.

5. ENTRETIEN

- a) Ayez votre outil électrique entretenu par un réparateur agréé n'utilisant que des pièces de rechange identiques.** Cela assurera que la sécurité de l'outil électrique est maintenue.

SYMBOLES



Afin de réduire les risques de blessure, l'utilisateur doit lire ce mode d'emploi.



Avertissement



Portez une protection auditive



Portez un protecteur oculaire




Portez un masque anti-poussières



Double isolation

FR DONNÉES TECHNIQUES

Type DX47U(47-désignation des machines, représentative de la ponceuse)

Tension	120V~60Hz
Puissance nominale	2.4A
Vitesse à vide	15,000 /min
Classe de protection	 /II
Taille de base	4-1/16 in. * 4-21/64 in. (103*110 mm)
Diamètre de l'orbite	1/16 in. (1.6 mm)
Poids de la machine	2.82 lbs (1.28 kg)

ACCESSOIRES

Bac de récupération de la poussière	1
Adaptateur d'aspiration	1
Papier abrasif grain 80	1
Perforateur	1

Nous vous recommandons d'acheter tous vos accessoires du même magasin qui vous a vendu l'outil. Pour de plus amples renseignements, consultez l'emballage de l'accessoire. Le personnel du magasin peut également vous conseiller.

INSTRUCTIONS D'UTILISATION



REMARQUE: Avant d'utiliser cet outil, assurez-vous de lire attentivement le manuel d'utilisation.

UTILISATION PRÉVUE

La machine est destinée au ponçage à sec du bois, du plastique, des enduits et des surfaces revêtues.

ASSEMBLAGE


1. MONTAGE DU PAPIER DE PONÇAGE (VOIR FIG. A, B & C)

- Papier abrasif sans système auto-agrippant
Soulevez le levier de serrage du papier abrasif et éloignez-le du verrou du levier de serrage. Répétez l'opération avec l'autre levier de serrage du côté opposé. Insérez environ 5 mm d'une extrémité du papier abrasif sous le levier de serrage du papier abrasif. Soulevez à nouveau le levier de serrage du papier abrasif et remettez-le en position de verrouillage du levier de serrage pour verrouiller le papier. Appuyez sur le papier de ponçage autour de la plaque de base aussi serré que possible et fixez l'autre extrémité du papier de ponçage. Vérifiez le papier abrasif et assurez-vous qu'il est bien serré sur la plaque de base et fixé sous les deux pinces verrouillées.

- Papier abrasif avec système auto-agrippant
Alignez et enfoncez directement le papier abrasif sur la plaque de base à la main. Appuyez fermement la ponceuse avec le papier de ponçage contre une surface plane pour vous assurer que le papier est bien fixé. Les trous sur le papier abrasif et la plaque de base doivent être bien alignés.

2. MONTAGE ET RETRAIT DE LA BOÎTE À POUSSIÈRE (VOIR FIG. D)

Votre ponceuse est équipée d'une boîte à poussière. Pour la fixer, insérez la boîte à poussière dans la sortie d'aspiration arrière jusqu'à ce qu'elle soit bien fixée. Pour la retirer, appuyez sur le levier de dégagement (a) des deux côtés de la boîte à poussière et faites glisser vers l'extérieur.

 **MISE EN GARDE:** Pour éviter la possibilité de projection de poussière ou de pièce étrangère sur votre visage ou vos yeux, n'essayez jamais d'utiliser votre ponceuse sans la boîte à poussière correctement installée.

3. VIDER LA BOÎTE À POUSSIÈRE (VOIR FIG. E)

Pour un fonctionnement plus efficace, videz la boîte à poussière toutes les 5 à 10 minutes. Cela permettra à l'air de mieux circuler dans la boîte.

Pour vider la boîte à poussière, retirez-la d'abord de

la sortie d'aspiration des poussières, appuyez sur le bouton à l'arrière de la boîte pour ouvrir l'arrière, puis vous pourrez secouer la poussière.

4. FIXATION DE LA PONCEUSE AVEC ASPIRATEUR (VOIR FIG. F)

Votre ponceuse est équipée d'un adaptateur d'aspirateur, conçu pour collecter la poussière. Insérez l'adaptateur d'aspirateur dans la sortie d'aspiration arrière de la ponceuse et assurez-vous qu'il est bien serré. Connectez ensuite l'adaptateur au tuyau d'un aspirateur. Lors de l'utilisation, veuillez d'abord allumer l'aspirateur, puis la ponceuse. Si vous arrêtez de poncer, éteignez d'abord la ponceuse, puis votre aspirateur.

REMARQUE: Veuillez toujours connecter l'adaptateur avec un tuyau à vide de 35 mm.

OPÉRATION

1. UTILISATION DE L'INTERRUPTEUR MARCHE / ARRÊT (VOIR FIG. G)

Pour démarrer votre ponceuse, enfoncez le couvercle de protection sur l'interrupteur à la position marquée «I». Pour arrêter votre ponceuse, appuyez sur le couvercle de protection à la position marquée «0».

2. PERFORATEUR DE PAPIER

Si vous utilisez du papier abrasif sans trous de poussière, vous devez d'abord utiliser le perforateur de papier pour perforer les trous afin d'assurer une extraction correcte de la poussière. Positionnez le poinçon sur la plaque de base avec les côtés du poinçon alignés avec les bords. Appuyez sur le poinçon dans la plaque de base pour percer des trous dans le papier de ponçage. Retirez ensuite le poinçon et vérifiez que tous les trous ont été correctement formés.

3. UTILISATION DE LA PONCEUSE

La pièce à poncer doit être sécurisée. S'il est petit ou qu'il peut bouger pendant le ponçage, il doit être maintenu dans un étau ou bien serré. Assurez-vous de tenir fermement la ponceuse pendant qu'elle est allumée et de l'appliquer doucement sur le travail, elle pourrait « donner des coups » sur le premier contact. Tenez la ponceuse de manière à ce qu'elle repose à plat sur la pièce et déplacez-la lentement, de préférence avec un mouvement circulaire régulier. Vérifiez régulièrement l'état du papier abrasif et remplacez-le lorsqu'il est usé pour de meilleurs résultats.

CONSEILS DE TRAVAIL POUR VOTRE PONCEUSE

1. Si votre outil alimenté devient trop chaud, en particulier lorsqu'elle est utilisée à faible vitesse, réglez la vitesse au maximum et faites fonctionner sans charge pendant 2-3 minutes pour refroidir le moteur. Évitez une utilisation prolongée à très faible vitesse. Utilisez toujours du papier abrasif adapté au matériau à poncer.
2. Assurez-vous toujours que la pièce à travailler est fermement maintenue ou serrée pour empêcher tout mouvement.
3. Tout mouvement du matériau peut affecter la qualité de la finition de ponçage.
4. Démarrez votre ponceuse avant de poncer et ne l'éteignez qu'après avoir arrêté de poncer. Pour de meilleurs résultats, ponchez le bois dans le sens du grain.
5. Ne commencez pas à poncer sans avoir le papier abrasif ajusté.
6. Ne laissez pas le papier abrasif s'user, cela endommagerait la plaque de base. La garantie ne couvre pas l'usure de la plaque de base.
7. Utilisez du papier à gros grains pour poncer les surfaces rugueuses, des grains moyens pour les surfaces lisses et des grains fins pour les surfaces finales. Si nécessaire, effectuez d'abord un test sur les matériels usés.
8. Utilisez uniquement du papier abrasif de bonne qualité.
9. L'efficacité du ponçage est déterminé par le papier abrasif et non la quantité de force que vous appliquez à l'outil. Une force excessive réduira l'efficacité de ponçage et provoquera une surcharge du moteur. Le remplacement régulier du papier abrasif maintiendra une efficacité de ponçage optimale.

ENTRETIEN

Retirez la prise avant d'effectuer tout réglage, entretien ou maintenance.

Votre outil électrique ne nécessite aucune lubrification ou maintenance supplémentaire. Votre outil électrique ne contient aucune pièce réparable par l'utilisateur. N'utilisez jamais d'eau ou de produits chimiques pour nettoyer votre outil électrique. Essuyer avec un chiffon sec. Rangez toujours votre outil électrique dans un endroit sec. Les fentes de ventilation du moteur doivent être propres. Éviter les poussières sur toutes les commandes de travail. Parfois, vous pouvez voir des étincelles à travers les fentes de ventilation. Ceci est normal et n'endommagera pas votre outil électrique. Si le cordon d'alimentation est endommagé, il doit être remplacé par le fabricant, son agent de service ou des personnes de qualification similaire afin d'éviter tout danger.

DÉPANNAGE


1. Si votre ponceuse ne fonctionne pas, vérifiez l'alimentation à la prise principale.
2. Si la ponceuse n'abrase pas la surface, vérifiez le papier de ponçage. Si le papier abrasif a été usé, remplacez le nouveau papier et réessayez. Le papier doit être conservé dans un endroit sec, s'il est laissé humide, les particules abrasives perdront leur adhérence au papier support et n'abreront pas.
3. Si la ponceuse ne bouge pas correctement, le papier de ponçage peut être lâche, endommagé ou froissé. Remplacez et réessayez.
4. Si un défaut ne peut être corrigé, renvoyez la ponceuse à un revendeur agréé pour réparation.

LISTA DE COMPONENTES

1. INTERRUPTOR ENCENDIDO / APAGADO
2. ÁREAS DEL MANGO
3. COLECTOR DE POLVO
4. PLACA BASE
5. BLOQUEO DE LA PALANCA DE LA ABRAZADERA
6. PALANCA DE LA ABRAZADERA DEL PAPEL DE LIJADO
7. PERFORADOR DE PAPEL
8. PAPEL DE LIJA
9. ADAPTADOR AL VACÍO
10. SALIDA DE EXTRACCIÓN DE POLVO (VER FIG. D)


No todos los accesorios ilustrados o descritos se incluyen junto con el producto estándar.

SEGURIDAD DEL PRODUCTO

 **ADVERTENCIA:** El polvo originado por la utilización de herramientas motorizadas contiene químicos que, según el Estado de California, causan cáncer, defectos congénitos y otros daños reproductivos. Algunos ejemplos de esos productos químicos son:

- El plomo de las pinturas a base de plomo;
- La sílice cristalina de los ladrillos, del cemento y de otros productos de albañilería;
- El arsénico y el cromo de la madera tratada químicamente.

El riesgo que se corre a causa del contacto con esos productos varía según la frecuencia con que usted realice este tipo de trabajos. Con el fin de reducir su exposición a esas sustancias químicas: trabaje en un área bien ventilada; utilice un equipo de seguridad adecuado, tal como una máscara contra el polvo especialmente diseñada para filtrar partículas microscópicas.

 **ADVERTENCIA:** Este producto puede exponerlo a sustancias químicas, como plomo y di (2-etilhexilo) ftalato (DEHP), que el estado de California reconoce como causantes de cáncer y defectos de nacimiento u otros daños reproductivos. Para más información visite www.P65Warnings.ca.gov.

ADVERTENCIAS DE SEGURIDAD GENERALES PARA LA HERRAMIENTA MOTORIZADA

 **ADVERTENCIA:** Lea y comprenda todas las instrucciones. *El no seguir todas las*

instrucciones a continuación puede ocasionar descargas eléctricas, incendios y/o heridas graves.

Conservar todas las advertencias e instrucciones para consulta futura.

El término "herramienta eléctrica" que figura en todas las advertencias que aparecen a continuación hace referencia a la herramienta que funciona con la red de suministro eléctrico (con cable) o a la herramienta eléctrica accionada a baterías (sin cable).

1. ÁREA DE TRABAJO

- Mantenga su lugar de trabajo limpio y bien iluminado.** Bancos de trabajo desordenados y lugares oscuros invitan a los accidentes.
- No utilice herramientas eléctricas en atmósferas explosivas, como por ejemplo en presencia de líquidos, inflamables, gases o polvo.** Las herramientas eléctricas crean chispas que pueden encender el polvo o los vapores.
- Mantenga a los espectadores, niños y visitantes a una distancia prudente cuando esté utilizando una herramienta eléctrica.** Las distracciones pueden hacerle perder el control.

2. SEGURIDAD ELÉCTRICA

- Los enchufes de las herramientas eléctricas deben coincidir con el tomacorriente. No modifique de algún modo el enchufe. No utilice enchufes adaptadores con herramientas eléctricas conectadas a tierra. Si no se modifican los enchufes y se utilizan los tomacorrientes adecuados, se reducirá el riesgo de una descarga eléctrica.**
- Evite el contacto del cuerpo con las superficies conectadas a tierra tales como tuberías,**

radiadores, estufas de cocina y refrigeradores.

Existe mayor riesgo de que se produzcan descargas eléctricas si su cuerpo está conectado a tierra.

- c) **No exponga las herramientas eléctricas a la lluvia ni a los ambientes húmedos.** *La entrada de agua en una herramienta eléctrica aumenta el riesgo de que se produzcan descargas eléctricas.*
- d) **No abuse del cable. Nunca use el cable para transportar las herramientas ni para sacar el enchufe de un tomacorriente. Mantenga el cable alejado del calor, el aceite, los bordes afilados o las piezas móviles.** *Los cables dañados aumentan el riesgo de que se produzcan descargas eléctricas.*
- e) **Cuando opere una herramienta eléctrica en exteriores, use un cable de extensión adecuado para uso en exteriores.** *El uso de un cable adecuado para uso en exteriores reduce el riesgo de descargas eléctricas.*
- f) **Si operar una herramienta eléctrica en un lugar húmedo es inevitable, use un elemento protegido del dispositivo de corriente residual (RCD).** *El uso de un RCD reduce el riesgo de descargas eléctricas.*

3. SEGURIDAD PERSONAL

- a) **Manténgase alerta, fíjese en lo que está haciendo y use el sentido común cuando utilice una herramienta eléctrica. No use la herramienta cuando esté cansado o se encuentre bajo la influencia de drogas, alcohol o medicamentos.** *Un momento de distracción al utilizar herramientas eléctricas puede dar lugar a lesiones personales graves.*
- b) **Utilice equipo de seguridad. Use siempre protección ocular.** *La utilización del equipo de seguridad como máscara antipolvo, zapatos de seguridad antideslizantes, casco o protección auditiva para condiciones adecuadas reducirá el riesgo de lesiones personales.*
- c) **Evite el arranque accidental. Asegúrese de que el interruptor esté en la posición de trabado o de apagado antes de instalar el paquete de baterías.** *Transportar herramientas con el dedo en el interruptor o instalar el paquete de batería cuando el interruptor está encendido invitan a los accidentes.*
- d) **Retire las llaves o claves de ajuste antes de encender la herramienta.** *Una llave o clave de ajuste dejada en una parte giratoria de la herramienta puede causar una lesión personal.*
- e) **No intente alcanzar demasiado lejos. Mantenga un apoyo de los pies y un equilibrio adecuados en todo momento.** *El apoyo de los pies y el equilibrio adecuados permiten un mejor control de la herramienta en situaciones inesperadas.*

- f) **Vístase apropiadamente. No se ponga ropa holgada ni joyas. Mantenga su cabello, ropa y guantes alejados de las piezas móviles.** *La ropa holgada, las joyas o el pelo largo pueden quedar atrapados en las piezas móviles..*
- g) **Si se proporcionan dispositivos para la extracción y recolección de polvo, asegúrese que estos estén conectados y utilizados correctamente.** *El uso de estos dispositivos puede reducir peligros relacionados con el polvo.*
- h) **No permita que la familiaridad obtenida a partir del uso frecuente de otras herramientas le permita volverse complaciente e ignorar los principios de seguridad de la herramienta.** *Una acción descuidada puede causar lesiones severas en una fracción de segundo.*

4. USO Y CUIDADO DE LA HERRAMIENTA

- a) **No fuerce la herramienta. Emplee la herramienta correcta para la aplicación que desea.** *La herramienta correcta hará el trabajo mejor y con más seguridad a la capacidad nominal para la que está diseñada.*
- b) **No utilice la herramienta si el interruptor no la enciende o apaga.** *Toda herramienta que no se pueda controlar con el interruptor es peligrosa y debe ser reparada.*
- c) **Desconecte la batería de la herramienta o ponga el interruptor en la posición de trabado o de apagado antes de hacer cualquier ajuste, cambio de accesorios o guardar la herramienta.** *Estas medidas de seguridad preventivas reducen el riesgo de encender la herramienta accidentalmente.*
- d) **Guarde las herramientas que no esté usando fuera del alcance de los niños y otras personas no capacitadas.** *Las herramientas son peligrosas en las manos de los usuarios no capacitados.*
- e) **Mantenga las herramientas con cuidado.** *Compruebe la desalineación o el atasco de las piezas móviles, la ruptura de piezas y cualquier otra situación que pueda afectar el funcionamiento de las herramientas. Si la herramienta está dañada, hágala arreglar antes de usarla. Muchos accidentes son causados por herramientas mantenidas deficientemente.*
- f) **Conserve las herramientas de corte afiladas y limpias.** *Las herramientas mantenidas adecuadamente, con bordes de corte afilados, tienen menos probabilidades de atascarse y son más fáciles de controlar.*
- g) **Utilice la herramienta eléctrica, accesorios, brocas de la herramienta, etc. de acuerdo con estas instrucciones y de la manera adecuada para el tipo de herramienta eléctrica, teniendo en cuenta**

las condiciones de trabajo y el trabajo que se realizará. La utilización de la herramienta eléctrica para operaciones diferentes de aquellas para las que se encuentra diseñada podría dar lugar a una situación peligrosa.

- h) **Mantenga las manijas y las superficies de sujeción secas, limpias y libres de aceite y grasa.** Las manijas y superficies de sujeción resbaladizas no permiten el manejo y control seguros de la herramienta en situaciones inesperadas.

5. REPARACIÓN

- a) **La herramienta debe ser reparada por una persona calificada de servicio técnico y se deben utilizar partes de reemplazo idénticas.** Esto asegurará el mantenimiento de la seguridad de la herramienta eléctrica.

SÍMBOLOS



Para reducir el riesgo de lesiones, el usuario deberá leer el manual de instrucciones.



Advertencia



Use protección auditiva



Use lentes de seguridad



Use máscara contra el polvo



Doble aislamiento

DATOS TÉCNICOS

Tipo DX47U(47-designación de maquinaria, representante de lijadora)

Voltaje	120V~60Hz
Potencia nominal	2.4A
Velocidad sin carga	15,000 /min
Clase de protección	□/II
Tamaño de la base	4-1/16 in. * 4-21/64 in. (103*110 mm)
Diámetro orbital	1/16 in. (1.6 mm)
Peso de la máquina	2.82 lbs (1.28 kg)

ACCESORIOS

Caja cyclone	1
Adaptador al vacío	1
Papel de lija con abrazadera de grano 80	1
Perforador de papel	1

Le recomendamos que compre todos los accesorios en la tienda donde adquirió la herramienta. Consulte el empaque de los accesorios para obtener más detalles. El personal de la tienda también puede ayudarle y aconsejarle.

INSTRUCCIONES DE USO



NOTA: Antes de usar la herramienta, lea atentamente el manual de instrucciones.

POSIBLE USO

La máquina está diseñada para el lijado en seco de madera, plástico, relleno y superficies recubiertas.

ENSAMBLAJE

1. MONTAJE DE LA HOJA DE LA SIERRA (VER FIG. A, B & C)


-Lijado de papel sin sistema de gancho y bucle
Levante la palanca de la abrazadera del papel de lija y aléjela del bloqueo. Repítalo con la otra palanca de sujeción en el lado opuesto. Inserte aproximadamente 5 mm de un extremo del papel de lijar debajo de la palanca de sujeción. Levante la palanca de sujeción del papel de lija y muévala nuevamente a la posición de bloqueo de la palanca de sujeción para su bloqueo. Presione el papel de lija alrededor de la forma de la placa base lo más apretado posible y fije el otro extremo del papel de lija.

Verifique el papel de lija y asegúrese siempre de que esté apretado sobre la placa base y asegurado debajo de ambas abrazaderas bloqueadas.

-Lijado de papel con sistema de gancho y bucle
Alinee y presione directamente el papel de lija sobre la placa base con la mano. Presione firmemente la lijadora con el papel de lija contra una superficie plana para asegurar que el papel esté asegurado. Los agujeros en el papel de lija y la placa base deben estar bien alineados.

2. MONTAJE Y DESMONTAJE DE LA BOLSA DE POLVO (VER FIG. D)

Su lijadora está equipada con un colector de polvo. Para colocarlo, inserte el colector de polvo en la salida de extracción de polvo trasera hasta que esté asegurada. Para retirarlo, presione la palanca de liberación (a) en ambos lados del colector de polvo y deslícela hacia afuera.

 **PRECAUCIÓN:** Para evitar la posibilidad de que el polvo de lijar o cuerpos extraños salpiquen su cara u ojos, nunca intente usar su lijadora sin el colector de polvo instalada correctamente.

3. VACIAR EL COLECTOR DE POLVO (VER FIG. E)

Para una operación más eficiente, vacíe el colector de polvo cada 5-10 minutos. Esto permitirá que el aire fluya mejor a través de él.

Para vaciar el colector de polvo, primero retírelo de

la salida de extracción del polvo, presione el botón en la parte posterior del colector para abrir su parte posterior, luego puede sacudir el polvo.

4. COLOCANDO LA LIJADORA AL VACÍO (VER FIG. F)

Su lijadora está equipada con un adaptador de vacío, que está diseñado para tareas de recolección de polvo. Inserte el adaptador del vacío en la salida de extracción de polvo posterior de la lijadora y asegúrese de que esté bien apretado. Luego conecte la manguera de una aspiradora. Primero encienda la aspiradora y luego encienda la lijadora. Si deja de lijar, primero apague la lijadora, luego apague la aspiradora.

NOTA: Conecte siempre el adaptador con una manguera de vacío de 35 mm.

OPERACIÓN

1. INTERRUPTOR DE ENCENDIDO / APAGADO DE SEGURIDAD (VER FIG. G)

Para iniciar su lijadora, presione la cubierta protectora sobre el interruptor en la posición marcada "I".

Para detener su lijadora, presione la cubierta protectora en la posición marcada "0".

2. PERFORADOR DE PAPEL

Si usa papel de lija sin agujeros para el polvo, primero debe usar el punzón de papel para perforar los agujeros y garantizar la extracción correcta del polvo. Coloque el punzón sobre la placa base con los lados del punzón en los bordes de la placa base. Presione el punzón en la placa base para perforar agujeros en el papel de lija. Luego retire el punzón y verifique que todos los agujeros se hayan formado correctamente.

3. USO DE LA LIJADORA

La pieza de trabajo al lijar debe estar asegurada. Si es pequeño o puede moverse durante el lijado, debe sujetarse en un tornillo de banco o sujetarse adecuadamente.

Asegúrese de sostener la lijadora firmemente mientras está encendida y aplíquela suavemente al trabajo, puede "moverse" en el primer contacto. Sostenga la lijadora de manera que quede plana sobre el trabajo y muévala lentamente, preferiblemente con un movimiento suave y circular. Compruebe regularmente el estado del papel de lija y reemplácelo cuando esté desgastado para obtener mejores resultados.

CONSEJOS DE TRABAJO PARA SU PULIDORA

1. Si su sierra caladora se calienta demasiado, especialmente cuando se usa a baja velocidad, ajuste la velocidad al máximo y no ejecute la carga durante 2-3 minutos para enfriar el motor. Evite el uso prolongado a velocidades muy bajas. Siempre use papel de lija adecuado para el material que desea lijar.
2. Asegúrese siempre de que la pieza de trabajo esté firmemente sujeta o afianzada para evitar que se mueva.
3. Cualquier movimiento del material puede afectar la calidad del acabado de lijado.
4. Arranque su lijadora antes de lijar y apáguela solo después de que deje de lijar. Para obtener los mejores resultados, lije la madera en la dirección del grano.
5. No comience a lijar sin tener el papel de lija ajustado.
6. No permita que el papel de lija se desgaste, dañará la placa base. La garantía no cubre el desgaste de la placa base.
7. Use papel de grano grueso para lijar superficies rugosas, grano medio para superficies lisas y grano fino para las superficies finales. Si es necesario, primero realice una prueba en material de desecho.
8. Utilice solo papel de lija de buena calidad.
9. El papel de lijado controla la eficiencia del lijado, no la cantidad de fuerza que aplica a la herramienta. Una fuerza excesiva reducirá la eficacia del lijado y provocará una sobrecarga del motor. Reemplazar el papel de lija regularmente mantendrá una eficiencia de lijado óptima.

MANTENIMIENTO

Retire el enchufe de la toma antes de realizar cualquier ajuste, servicio o mantenimiento.

Su herramienta eléctrica no requiere lubricación ni mantenimientos adicionales.

No hay piezas reparables por el usuario en su herramienta eléctrica. Nunca use agua o limpiadores químicos para limpiar su herramienta eléctrica.

Limpie con un paño seco. Guarde siempre su herramienta eléctrica en un lugar seco. Mantenga limpias las ranuras de ventilación del motor.

Mantenga todos los controles de trabajo libres de polvo. Ocasionalmente puede ver chispas a través de las ranuras de ventilación. Esto es normal y no dañará su herramienta eléctrica.

Si el cable de alimentación está dañado, debe ser sustituido por el fabricante, su agente de servicio o personas calificadas de manera similar para evitar un peligro.

SOLUCIÓN DE PROBLEMAS

1. Si su lijadora no funciona, verifique la alimentación en el enchufe de la red.
2. Si la pulidora no desgasta la superficie, verifique el bonete. Si el bonete se ha desgastado, reemplácelo por uno nuevo e inténtelo nuevamente. El papel debe mantenerse en un lugar seco, si se deja que se humedezca, las partículas abrasivas perderán su adhesión al papel de respaldo y no se desgastarán.
3. Si la administración de la lijadora no se hace de manera suave, el papel de lija puede estar suelto, dañado o arrugado. Reemplácelo e inténtelo nuevamente.v
4. Si no se puede corregir un fallo, devuelva la lijadora a un distribuidor autorizado para la reparación.

ES



www.catpowertools.com



©2021 Caterpillar. CAT, CATERPILLAR, their respective logos, "Caterpillar Yellow," the "Power Edge" trade dress as well as corporate and product identity used herein, are trademarks of Caterpillar and may not be used without permission. Positec Group Limited, a licensee of Caterpillar Inc